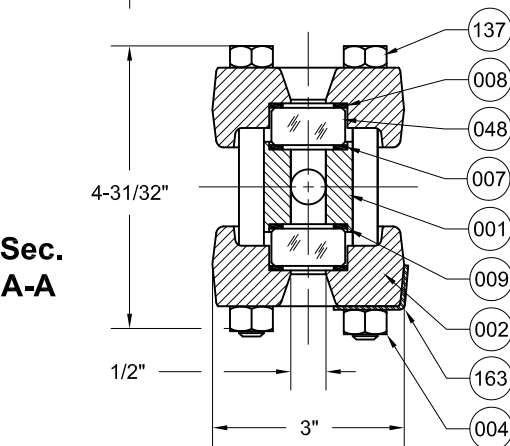


PRODUCT SPECIFICATIONS									
Sections & Size	Bolts	Nuts	Overall Length (in.)	Visible Length (in.)	No. of Sect.	Glass Size	Wgt. ¹⁵ (lbs.)	Minimum Vessel Centers Off Valves with NPT Gauge Connections ²	
								With Rigid Valves	With Union Valves
111	12	12	12	10-1/4	1	11	26	16-3/32	18-19/32
112	14	14	13	11-1/4		12	29	17-3/32	19-19/32
113	16	16	14	12-1/4		13	31	18-3/32	20-19/32
115	18	18	16	14-1/4		15	35	20-3/32	22-19/32
118	20	20	19	17-1/4		18	42	23-3/32	25-19/32
120	24	24	21	19-1/4		20	46	25-3/32	27-19/32
211	24	24	24-1/8	22-3/8	2	11	53	28-3/16	30-11/16
212	28	28	26-1/8	24-3/8		12	58	30-3/16	32-11/16
213	32	32	28-1/8	26-3/8		13	62	32-3/16	34-11/16
215	36	36	32-1/8	30-3/8		15	71	36-3/16	38-11/16
218	40	40	38-1/8	36-3/8		18	84	42-3/16	44-11/16
220	48	48	42-1/8	40-3/8		20	93	46-3/16	48-11/16
311	36	36	36-1/4	34-1/2	3	11	80	40-9/32	42-25/32
312	42	42	39-1/4	37-1/2		12	87	43-9/32	45-25/32
313	48	48	42-1/4	40-1/2		13	93	46-9/32	48-25/32
315	54	54	48-1/4	46-1/2		15	107	52-9/32	54-25/32
318	60	60	57-1/4	55-1/2		18	126	61-9/32	63-25/32
320	72	72	63-1/4	61-1/2		20	140	67-9/32	69-25/32
411	48	48	48-1/4	46-1/2	4	11	106	52-3/8	54-7/8
412	56	56	52-1/4	50-1/2		12	116	56-3/8	58-7/8
413	64	64	56-1/4	54-1/2		13	125	60-3/8	62-7/8
415	72	72	64-1/4	62-1/2		15	143	68-3/8	70-7/8
418	80	80	76-1/4	74-1/2		18	168	80-3/8	82-7/8
420	96	96	84-1/4	82-1/2		20	186	88-3/8	90-7/8
511	60	60	60-3/8	58-5/8	5	11	133	64-15/32	66-31/32
512	70	70	65-3/8	63-5/8		12	145	69-15/32	71-31/32
513	80	80	70-3/8	68-5/8		13	156	74-15/32	76-31/32
515	90	90	80-3/8	78-5/8		15	179	84-15/32	86-31/32
518	100	100	95-3/8	93-5/8		18	210	99-15/32	101-31/32
520	120	120	105-3/8	103-5/8		20	233	109-15/32	111-31/32
611	72	72	72-1/2	70-3/4	6	11	160	76-9/16	79-1/16
612	84	84	78-1/2	76-3/4		12	173	82-9/16	85-1/16
613	96	96	84-1/2	82-3/4		13	187	88-9/16	91-1/16
615	108	108	96-1/2	94-3/4		15	215	100-9/16	103-1/16
618	120	120	114-1/2	112-3/4		18	252	118-9/16	121-1/16
620	144	144	126-1/2	124-3/4		20	280	130-9/16	133-1/16



REVISIONS			
Rev.	Modification	Date	Done By

BILL OF MATERIALS					
* - Denotes an Optional, Non-Standard Material					
Item No.	Name of Part	Qty.	Material	Max. Temp. (°F)	Material Grade / Notes
001	Chamber	1	Carbon Steel		ASTM A696
			*316SS/316LSS		ASTM A511
			Non-Asbestos Fiber	550	IFG5500
007	Gasket	2/Sec.	*Graphite	572	SS Reinforced
			*PTFE	500	15% Glass Filled
					Required for Steam Applications
009	Inner Shield	2/Sec.	Mica V5		
048	Glass	2/Sec.	Tempered Boro.	572	
002	Retaining Cover	2/Sec.	Carbon Steel		ASTM A36
			*316SS		ASTM A511
004	Nuts	Var.	Carbon Steel		ASTM A194 2H
			*316SS		ASTM A194-8M
008	Glass Cushion	2/Sec.	Non-Asbestos Fiber	550	IFG5500
			*Graphite	572	SS Reinforced
137	Bolts	Var.	Alloy Steel		ASTM A193 B7
			*316SS		ASTM A193-B8M
163	ID Tag	1	SS		

- NOTES:**
1. Mounting Bracket Included on Gauges >165 lbs. Inquire for Exact Placement Requirements.
 2. Values For End Connected Gauges. Please Inquire for Side/Back Connected Gauges
 3. Ratings Limited to Glass, Gasket, and Valve Ratings
 4. All Wetted Components Comply with NACE MR-01-75
 5. 3/4" Connections are Recommended for Gauges >100 lbs.
 6. Socketweld Connections are not Compliant with B31.11 for Side/Back Connect, and 3/4" End Connected Gauges. Inquire if Compliance is Needed

RATINGS ³			
Temp. (°F)	Steam (PSIG)	Non-Steam with Std. Gaskets (PSIG)	
		Carbon Steel	316SS
100	300	750	720
200	300	750	620
300	300	730	560
400	300	705	515
500	NR	665	480
550	NR	605	450

H12 Series Configuration Choices:

Reference the Series H12 Model Number Matrix on our Website or Inquire with our Sales Team

JOHN C ERNST LLC. www.johnernst.com
21 Gall Ct. Sparta, N.J. USA

Series H12 - Transparent Armored Level Gauge

Sheet: 1 of 1	Drawn By: WAS	Tolerances, unless otherwise noted Dec.: ± Frac.: ± Ang.: ±	Size: B
Scale: NTS	Approved By: GEW		
Dim.: Inches	Date: 04-NOV-16	Dwg. No.: SC2.00H12.01.0.0	Rev.: --