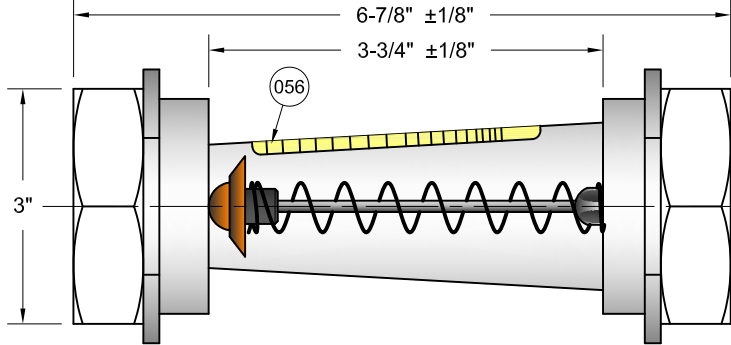
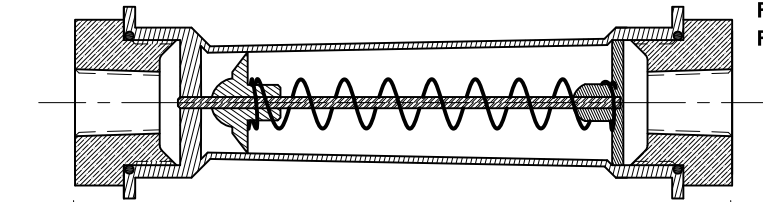
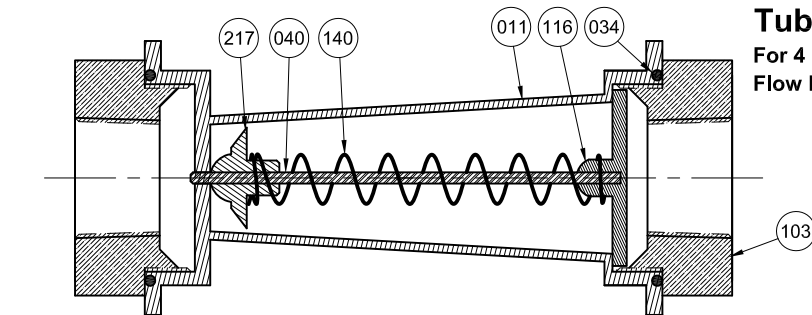


**Small Tube (S)**  
For 0.4 - 15 GPM Flow Rates



**Large Tube (L)**  
For 4 - 50 GPM Flow Rates



REVISIONS			
Rev.	Modification	Date	Done By

AVAILABLE FLOW RANGES					
FNPT Size	Tube Size	Water		Air <sub>2</sub>	
		GPM	LPM	SCFM	SLPM
1/2	S	0.5 - 5	4 - 20	10 - 50	200 - 1400
	S	1 - 10	6 - 38	10 - 100	250 - 2500
	S	2 - 15	5 - 55	20 - 135	600 - 3600
3/4	S	0.5 - 5	4 - 20	10 - 50	200 - 1400
	S	1 - 10	6 - 38	10 - 100	250 - 2500
	S	2 - 15	5 - 55	20 - 135	600 - 3600
	L	4 - 20	15 - 75	20 - 200	N/A
	L	5 - 30	10 - 110	10 - 300	N/A
	L	5 - 40	15 - 150	50 - 400	N/A
1	S	0.5 - 5	4 - 20	10 - 50	200 - 1400
	S	1 - 10	6 - 38	10 - 100	250 - 2500
	S	2 - 15	5 - 55	20 - 135	600 - 3600
	L	4 - 20	15 - 75	20 - 200	N/A
	L	5 - 30	10 - 110	10 - 300	N/A
	L	5 - 40	15 - 150	50 - 400	N/A
1-1/2	L	5 - 50	20 - 200	50 - 500	N/A
	L	4 - 20	15 - 75	20 - 200	N/A
	L	5 - 30	10 - 110	10 - 300	N/A
	L	5 - 40	15 - 150	50 - 400	N/A

BILL OF MATERIALS			
No.	Name of Part	Qty.	Material
103	End Fittings	2	Brass
			Aluminum
			316SS
011	Body/Housing	1	Polysulfone
034	O-Rings	2	Viton®
040	Shaft	1	316SS
116	Shaft Retainer	1	Polysulfone
140	Spring	1	316SS
217	Piston	1	Polysulfone

RATINGS								
Temp.		Pressure				Pressure Drop	Accuracy	Steam Service
		Water		Air <sub>2</sub>				
°F	°C	PSIG	kPa	PSIG	kPa	4 PSIG of Full Scale Flow	±5% of Full Scale Flow	NR
230	110	250	1724	125	862			

**KEY NOTES:**

1. CANNOT be Over Tightened
2. Flow Rates for Air Applications Calibrated to 90 PSIG. See IOM for Conversion Factors if Other than 90 PSIG

**M11 Series Configuration Choices:**

Reference the Series M11 Model Number Matrix on our Website or Inquire with our Sales Team

Viton® is a Registered Trademark of the Chemours Company

<b>JOHN C ERNST LLC.</b>		www.johnernst.com 21 Gail Ct. Sparta, N.J. USA	
M11 Shuttle Type Flow Meter w/ Polysulfone Housing			
Sheet: 1 of 1	Dwn By: WAS	Tolerances, unless otherwise noted Dec.: ±    Frac.: ±    Ang.: ±	Size: A
Scale: NTS	Approved By: JCW		Rev.: A
Dim.: Var.	Date: 21-MAR-18	Dwg. No.: SC2.00M11.00.0.0	