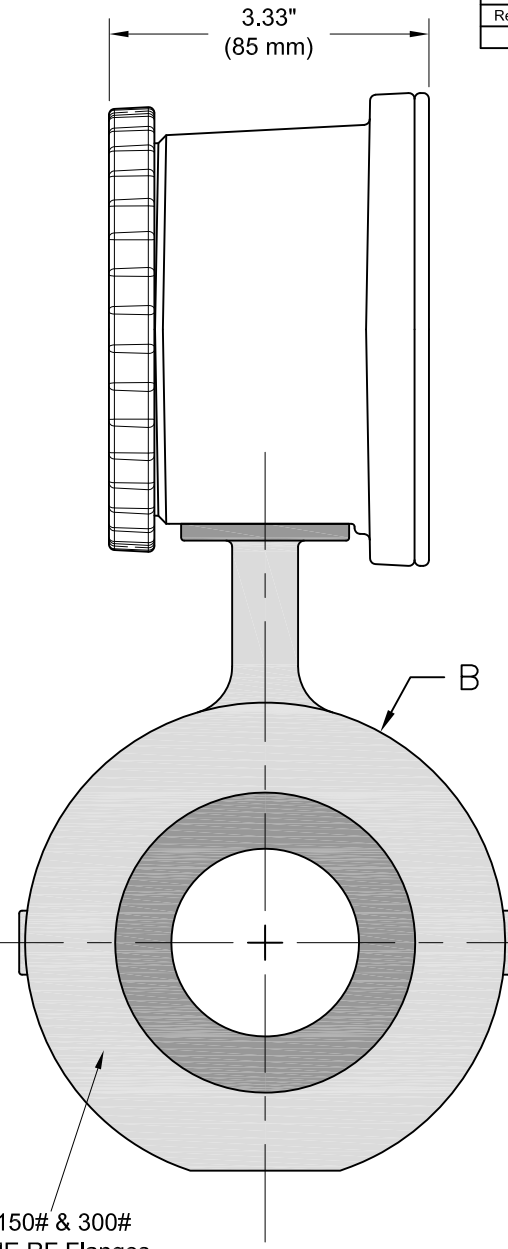


Cross Section



Fits 150# & 300# ASME RF Flanges

REVISIONS			
Rev.	Modification	Date	Done By

BILL OF MATERIALS		
* - Denotes an Optional, Non-Standard Material		
#	Name of Part	Material
1	Body	Bronze
		*Monel
		*316SS
2	Seals	Buna-N
		*Viton
		*EPR
		*Teflon
3	Orifice	Bronze
		*Monel
		*316SS
	Bellows	Bronze
		*Monel
		*316SS
		*Inconel
4	Housing	Polycarbonate
		*Aluminum
5	Lens	Polycarbonate
6	Dial	*Glass
	Gear Movement	Bronze
		*316SS

RATINGS			
Options	Description	Pressure	Temperature
-	Standard	180 PSI	212°F
H	High Pressure	400 PSI	212°F
T	High Temperature	180 PS	350°F
H & T	High Pressure & Temperature	400 PSI	350°F

DIMENSIONS					
Size		A		B	
IN	MM	IN	MM	IN	MM
1/2	15	6.62	168	1.69	43
3/4	20	7.06	179	2.00	51
1	25	7.25	184	2.38	60
1-1/2	40	7.81	198	3.12	79
2	50	8.00	203	3.75	95
2-1/2	65	8.54	217	4.25	108
3	80	8.87	225	5.00	127
4	100	9.95	253	6.13	156
5	125	10.36	263	7.38	187
6	150	11.05	281	8.38	213
8	200	12.30	312	10.38	264

Notes:
1. Protect from freezing. Freezing liquids can damage the Flow Meter.

M12 Series Configuration Choices:
Reference the Series M12 Model Number Matrix on our Website or Inquire with our Sales Team

JOHN C ERNST LLC. www.johnernst.com

21 Gail Ct. Sparta, N.J. USA

Series M12 Differential Pressure Wafer Flow Meter

Sheet 1 of 1	Drawn By WAS & TWW	Tolerances, unless otherwise noted Dec.: ± Frac.: ± Ang.: ±	Size: A
Scale: NTS	Approved By JCW		
Date: 11-OCT-17	Dwg. No.: SC2.00M12.00.1.0		Rev. -