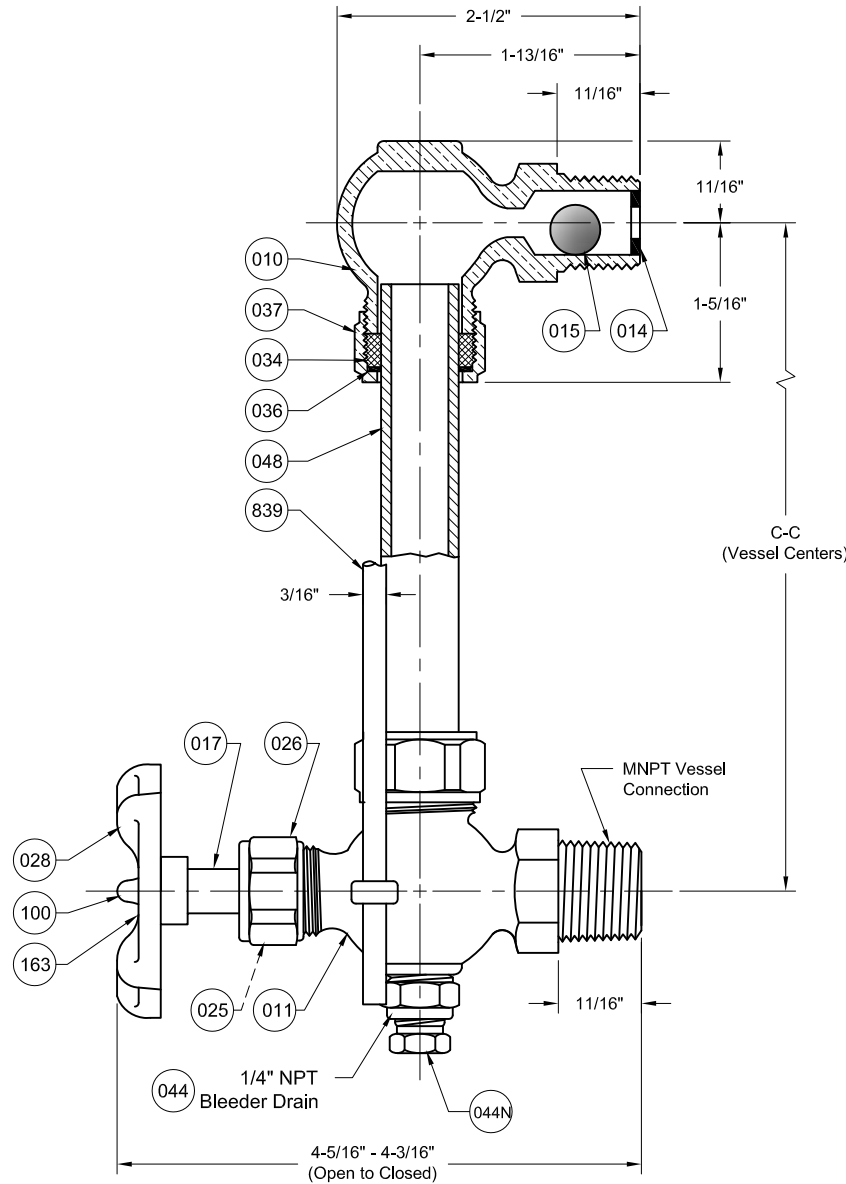


REVISIONS			
Rev.	Modification	Date	Done By
0	Original	2/9/2016	WAS
A	Drain Terminology, Gland is Non-Wetted	8/31/2016	WAS
B	Guard Rod Ø Added	3/21/2017	WAS
C	Bleeder Drain Added	1/26/2018	WAS
D	Added Part Number for Drain Needle	12/10/2018	NPH



BILL OF MATERIALS					
*Denotes an Optional, Non-Standard Material					
No.	Name of Part	Qty.	Material	Max. Temp. (°F)	Material Grade / Notes
010	Upper Valve	1	Bronze		ASTM B584
011	Lower Valve	1	Bronze		ASTM B584
014	Ball Check Retainer	2	SS		PH 15-7 Mo
015	Ball Check	2	Brass		ASTM B-16
017	Stem	1	Brass		ASTM B-16
025	Stem Packing	1	TFE/Hylpalon	400	(Not Pictured)
034	Gasket	2	EPDM	280	
			*Neoprene	250	
			*Viton®	400	
044	Bleeder Drain	1	Brass		ASTM B-16
044N	Drain Needle	1	Brass		ASTM B-16
048	Sight Glass/Tube	1	Cust. Specified		Upon Request
026	Stem Packing Nut	1	Brass		ASTM B-16
028	Handwheel	1	Aluminum		
036	Glass Packing Gland	2	Brass Plated Steel		
037	Glass Packing Nut	2	Brass		ASTM B-16
100	Handwheel Screw	1	Plated Steel		
163	Name Plate	1	Aluminum		
839	Guard Rods	2	304SS		Upon Request

PRODUCT SPECIFICATIONS							
Assembly Limited to Glass and Gasket Ratings							
Model	Size MNPT	Liquid Service (PSIG)	Steam Service (PSIG)	Auto Ball Checks	Glass OD	Glass Length From Centers	Rod Length From Centers
402-04	1/2"	400 / 100°F to 200 / 400°F	NR	Yes	5/8"	- 1-1/4"	+3/4"

T11 Series Configuration Choices:

Reference the Series T11 Model Number Matrix on our Website or Inquire with our Sales Team

Viton® is a Registered Trademark of the Chemours Company

JOHN C ERNST LLC.		www.johnernst.com 21 Gail Ct. Sparta, N.J. USA	
Series T11 Style 402 Liquid Level Gauge Assembly			
Sheet 1 of 1	Drawn By: NPH	Tolerances, unless otherwise noted Dec.:± Frac.:± Ang.: ±	Size: A
Scale: NTS	Approved By: JCW		
Units: Inches	Date: 10-DEC-18	Dwg. No.: SC2.00T11.01.0.0	Rev. D