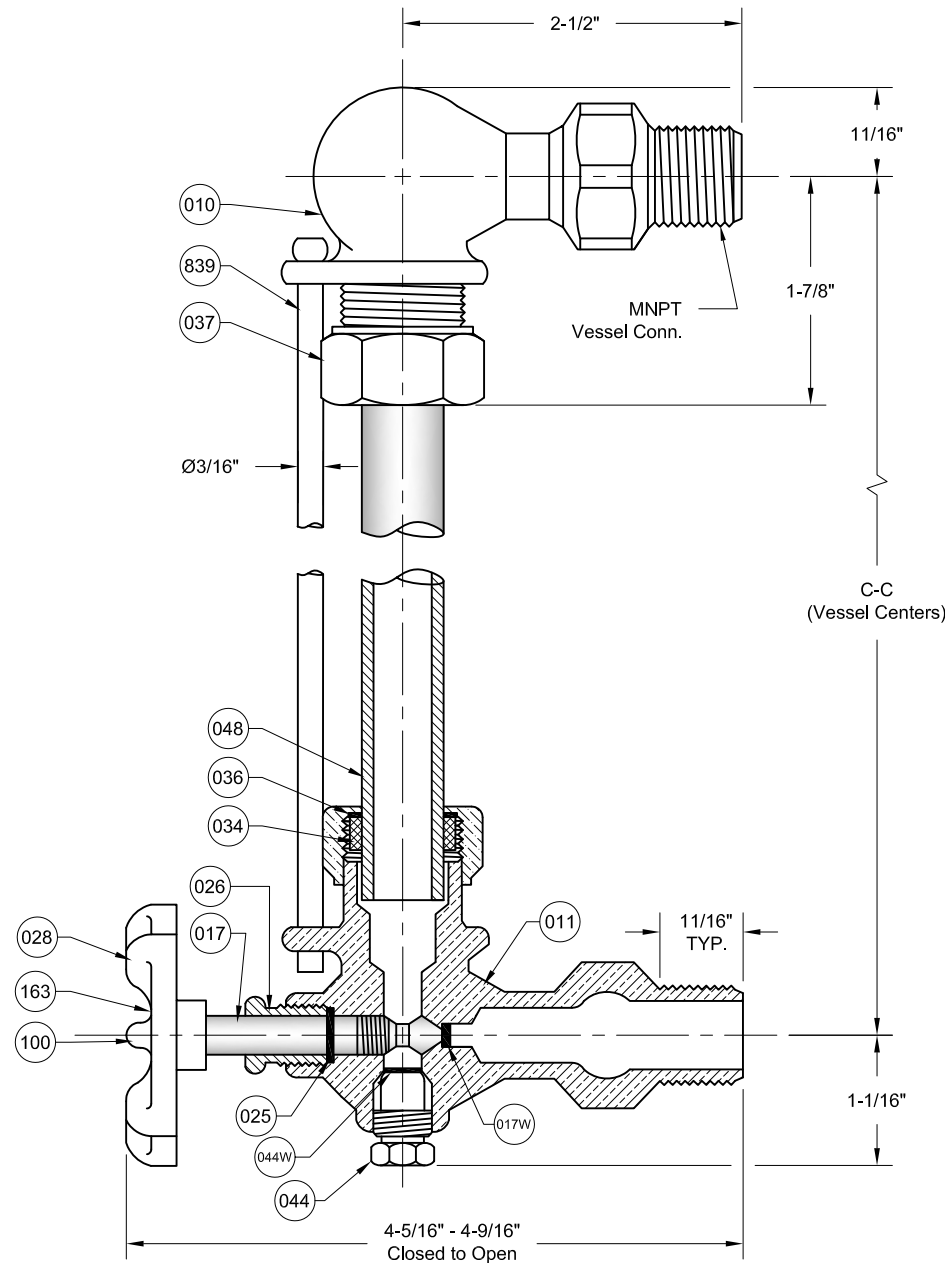


REVISIONS			
Rev.	Modification	Date	Done By
B	Guard Rod Ø Added	3/21/2017	WAS
C	Max. Temp. to 400°F	8/22/2018	WAS



BILL OF MATERIALS					
*Denotes an Optional, Non-Standard Material					
No.	Name of Part	Qty.	Material	Max. Temp. (°F)	Material Grade / Notes
010	Upper Elbow	1	316SS		
011	Lower Valve	1	316SS		
017	Stem	1	316SS		
017W	Stem Seat Washer	1	PTFE		
025	Stem Packing	1	PTFE		
034	Gasket (Choose Material)	2	Viton®	400	
			*Neoprene	250	
			*EPDM	280	
044	Needle Drain	1	316SS		
044W	Drain Seat	1	PTFE		
048	Sight Glass/Tube	1	Cust. Specified		Upon Request
026	Stem Packing Fitting	1	316SS		
028	Handwheel	1	Aluminum		
036	Glass Packing Gland	2	316SS		
037	Glass Packing Nut	2	316SS		
100	Handwheel Screw	1	Plated Steel		
163	Name Plate	1	Aluminum		
839	Guard Rods	2	304SS		Upon Request

PRODUCT SPECIFICATIONS							
Assembly Limited to Glass and Gasket Ratings							
Model	Size MNPT	Liquid Service (PSIG)	Steam Service (PSIG)	Auto Ball Checks	Glass OD	Glass Length From Centers	Rod Length From Centers
448-04	1/2"	250 @ 100°F to 400°F	N/R	None	5/8"	-2"	-1-1/4"
448-05	3/4"						

T11 Series Configuration Choices:

Reference the Series T11 Model Number Matrix on our Website or Inquire with our Sales Team

Viton® is a Registered Trademark of the Chemours Company

JOHN C ERNST LLC.		www.johnernst.com 21 Gail Ct. Sparta, N.J. USA	
Series T11 Style 448 Stainless Steel Elbow & Valve			
Sheet: 1 of 1	Drawn By: WAS	Tolerances, unless otherwise noted Dec.: ± Frac.: ±1/32" Ang.: ±	Size: A
Scale: NTS	Approved By: JCW		
Dim.: Inches	Date: 22-AUG-18	Dwg. No.: SC2.00T11.05.0.0	Rev.: C