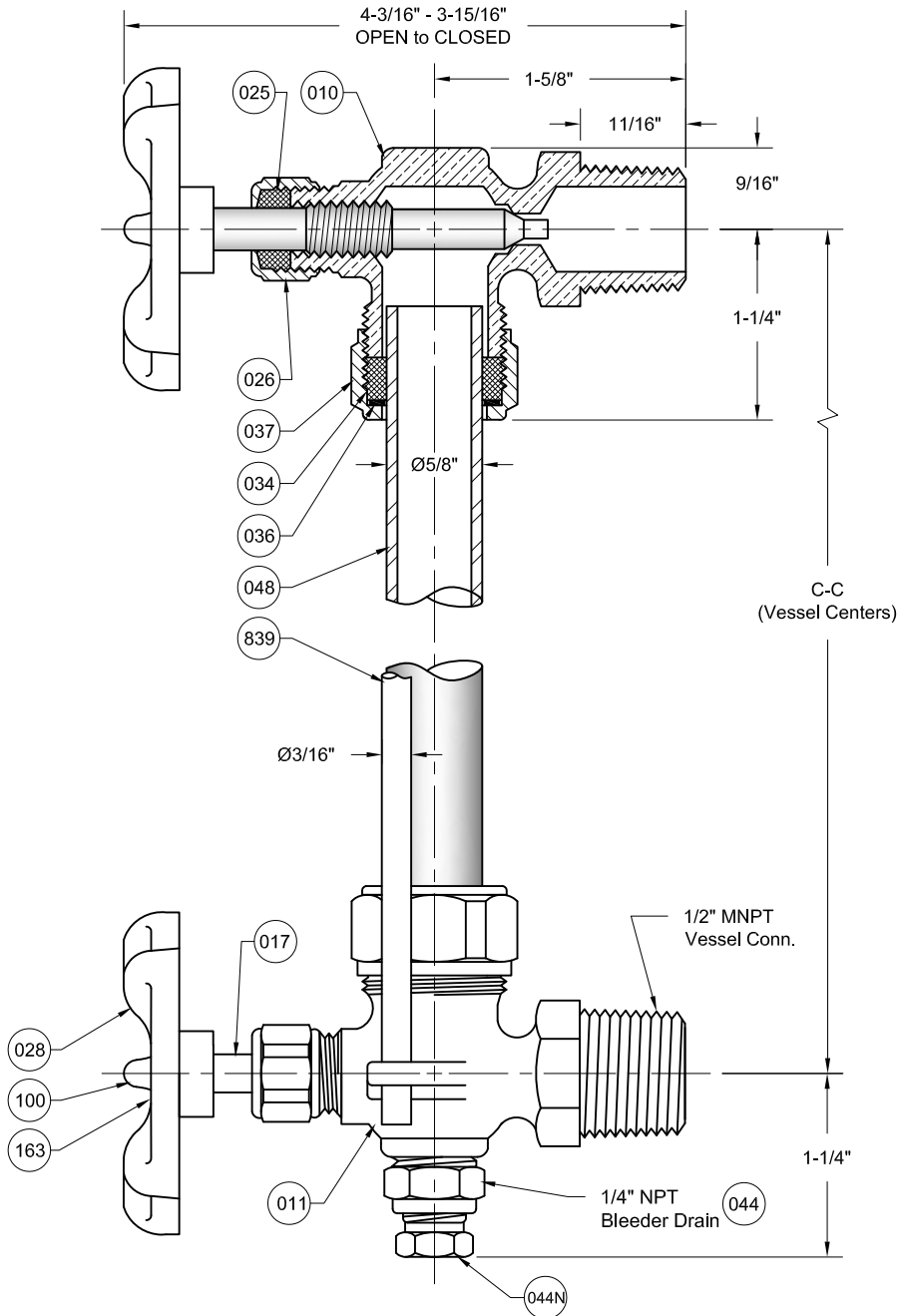


REVISIONS			
Rev.	Modification	Date	Done By



BILL OF MATERIALS						
*Denotes an Optional, Non-Standard Material						
No.	Name of Part	Qty.	Material	Max. Temp. (°F)	Material Grade / Notes	
010	Upper Valve	1	Bronze (Lead Free)		ASTM B584 UNS C89836	
011	Lower Valve	1	Bronze (Lead Free)		ASTM B584 UNS C89836	
017	Stem	2	Brass (Lead Free)		UNS C27451	
025	Stem Packing	2	TFE/HyPalon	350		
034	Gasket	2	EPDM	280		
			*Neoprene	250		
			*Viton®	350		
044N	Drain Needle	1	Brass (Lead Free)		UNS C27451	
044	Bleeder Drain Body	1	Brass (Lead Free)		UNS C27451	
048	Sight Glass/Tube	1	Cust. Specified		Upon Request	
Non-Wetted	026	Stem Packing Nut	2	Brass		ASTM B-16
	028	Handwheel	2	Aluminum		
	036	Glass Packing Gland	2	Brass Plated Steel		
	037	Glass Packing Nut	2	Brass		ASTM B-16
	100	Handwheel Screw	2	Zinc Plated Steel		
	163	Name Plate	1	Aluminum		
	839	Guard Rods	2	304SS		Upon Request

PRODUCT SPECIFICATIONS						
Assembly Limited to Glass and Gasket Ratings						
Size MNPT	Liquid Service (PSIG)	Steam Service (PSIG)	Auto Ball Checks	Glass OD	Glass Length From Centers	Rod Length From Centers
1/2"	300 / 100°F to 125 / 350°F	NR	No	5/8"	- 1-1/4"	+3/4"

T11 Series Configuration Choices:

Reference the Series T11 Model Number Matrix on our Website or Inquire with our Sales Team

Viton® is a Registered Trademark of the Chemours Company

JOHN C ERNST LLC.

www.johnernst.com
21 Gail Ct. Sparta, N.J. USA

Series T11 Style 404 Lead-Free Liquid Level Gauge Valves

Sheet 1 of 1	Drawn By: WAS	Tolerances, unless otherwise noted Dec.: ±0.015" Frac.: ±1/64" Ang.: ±1/2"	Size: A
Scale: NTS	Approved By: JCE		Rev.: --
Units: Inches	Date: 28-MAY-18	Dwg. No.: SC2.00T11.06.0.0	