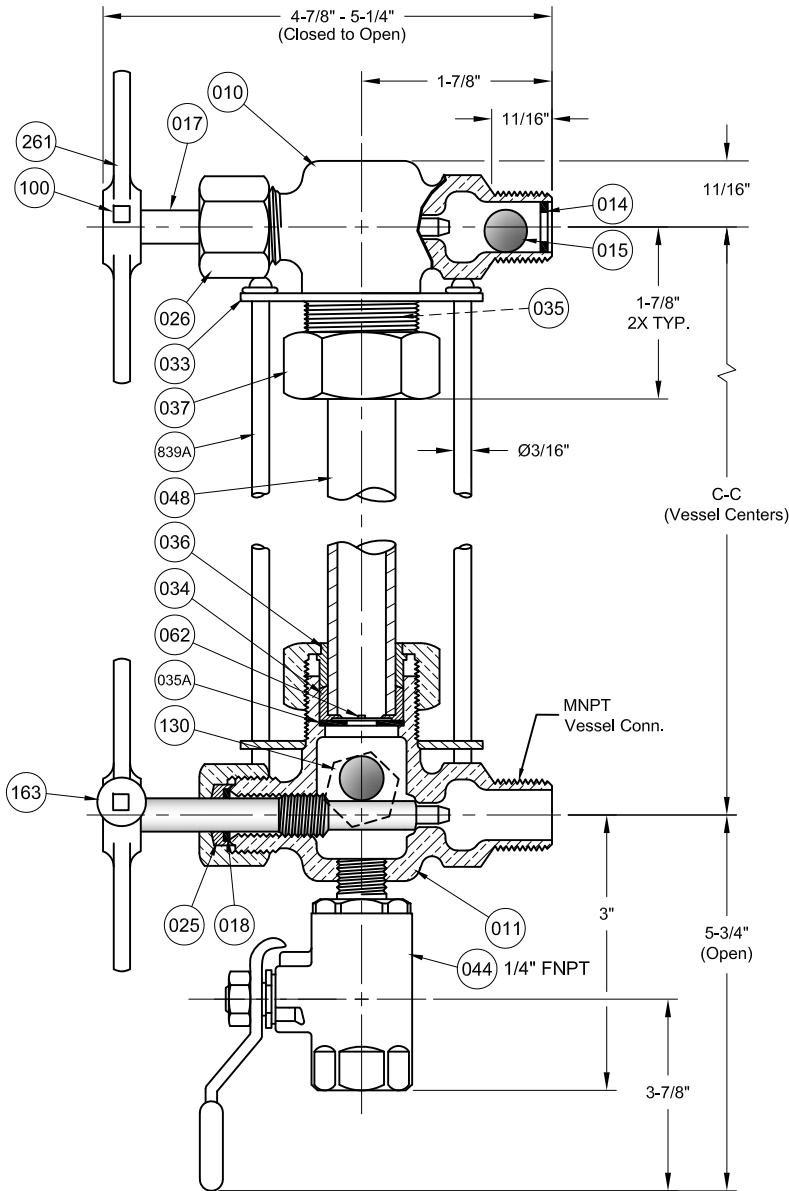


REVISIONS			
Rev.	Modification	Date	Done By
C	Guard Rod Ø Added	3/21/2017	WAS
D	Solid Teflon Removed, Butler Bevel Seal Standard	9/13/2018	WAS
E	Added chain to BOM, Updated Steam Service	1/28/2021	NPH



BILL OF MATERIALS					
*Denotes an Optional, Non-Standard Material					
No.	Name of Part	Qty.	Material	Max. Temp. (°F)	Material Grade / Notes
010	Upper Valve	1	Bronze		ASTM B-584
011	Lower Valve	1	Bronze		ASTM B-584
014	Ball Check Retainer	1	316SS		(Upper Only)
015	Ball Check	2	Brass		ASTM B-16
017	Stem	2	Brass		ASTM B-16
018	Stem Packing Retainer	2	Brass		B-36
025	Stem Packing	2	Braided TFE w/ Aramid		
034	Gasket	2	PTFE - Butler Bevel	400	(2 Pcs. per Valve)
			*PTFE - Soft Woven	400	
			*EPDM	280	
			*Neoprene	250	
			*Viton®	400	
	*Graphite	400			
035	Glass Top Washer	1	Brass		B-36
035A	Glass Rest	1	Brass		B-36
044	Ball Valve Drain	1	Bronze		TFE Seats & Seals
048	Sight Glass/Tube	1	Cust. Specified		Upon Request
062	Glass Rest Retainer	1	SS		PH 15-7 Mo
130	Inspection Port	1	Brass		ASTM B-16
026	Stem Packing Nut	2	Brass		ASTM B-16
			Zinc Plated Steel		
			Brass		ASTM B-16
			Brass		ASTM B-16
			Plated Steel		
			Aluminum		
			Bronze		ASTM B-584
			304SS		Upon Request
			Plated Steel		(Not Shown) 6' Length

PRODUCT SPECIFICATIONS						
Assembly Limited to Glass and Gasket Ratings						
Size MNPT	Max. Liquid Service (PSIG)	Max. Steam Service (PSIG)	Auto Ball Checks	Glass OD	Glass Length From Centers	Rod Length From Centers
1/2"	500 @ 100°F	250	Yes, Meets ASME	5/8"	-2"	-1"
3/4"	250 @ 400°F			3/4"		

T14 Series Configuration Choices:

Reference the Series T14 Model Number Matrix on our Website or Inquire with our Sales Team

Viton® is a Registered Trademark of the Chemours Company

JOHN C ERNST LLC. www.johnernst.com
21 Gail Ct. Sparta, N.J. USA

Series T14 Style 408 Liquid Level Gauge Assembly

Sheet 1 of 1	Drawn By WAS	Tolerances, unless otherwise noted Dec.: ±0.015" Frac.: ±1/64" Ang.: ±1/2°	Size: A
Scale: NTS	Approved By:JCW		Unit: Inches
	Date: 13-SEP-18	Dwg. No.: SC2.00T14.00.0.0	Rev.: E