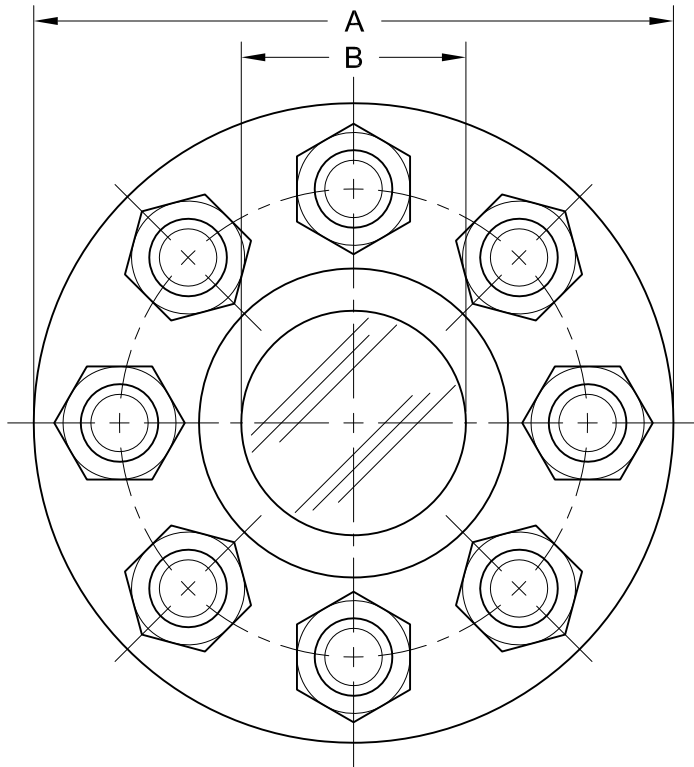
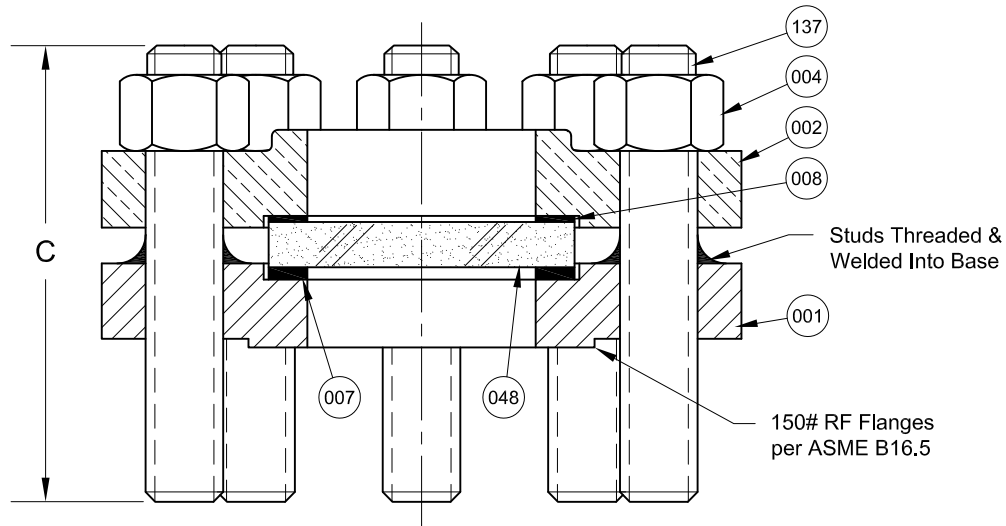


REVISIONS			
Rev.	Modification	Date	Done By
0	Original	8/10/2018	WAS
B	Updated material	4/13/2020	NPH



BILL OF MATERIALS				
* - Denotes an Optional, Non-Standard Material				
No.	Name of Part	Qty.	Material	Max. Temp. (°F)
Wetted	001	1	Carbon Steel	
			316LSS	
	007	1	Neoprene	250
			Soft PTFE	400
			*EPDM	250
			*Viton®	350
			*Graphite	500
009	1	*Non-Asbestos Fiber	500	
		*Buna-N	200	
048	1	*Mica V4		
		*FEP	400	
Non-Wetted	002	1	Painted Steel	
			*316SS	
	004	8	Plated Steel	
			*316SS	
	008	1	Non-Asbestos Fiber	
137	8	Black Oxide Coated Steel		
			*316SS	



PRODUCT SPECIFICATIONS								
Flange Size	A		B		C		Weight	
	In.	mm.	In.	mm.	In.	mm.	lbs.	kg.
6	11	279.4	6-3/4	171.5	6	152.4	41.8	19.0
8	13-1/2	342.9	8-3/4	222.3	6-1/2	165.1	61.2	27.8

Rating: 150 PSIG @ -20 to 500°F

KEY NOTES:

- Limited to Glass & Gasket Material
- Please Inquire for Alternate Specs.

W11 Series Configuration Choices:

Reference the Series W11 Model Number Matrix on our Website or Inquire with our Sales Team

Viton® is a Registered Trademark of the Chemours Company

JOHN C ERNST LLC.		www.johnernst.com 21 Gall Ct. Sparta, N.J. USA	
Sheet: 1 of 1	Drawn By: WAS	Tolerances, unless otherwise noted Dec.: ± Frac.: ± Ang.: ±	
Scale: NTS	Approved By: JCW	Size: A	
Dim.: Var.	Date: 20-FEB-20	Dwg. No.: SC2.00W11.00.2.0	Rev.: B