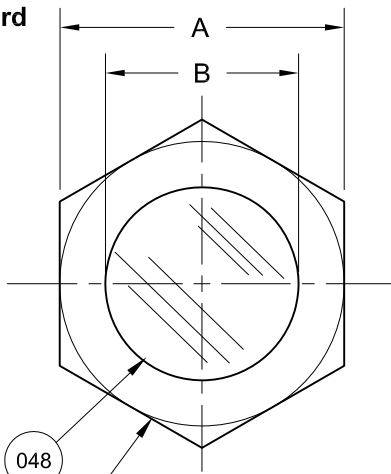
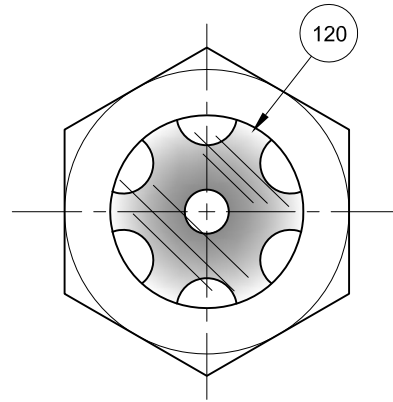


REVISIONS			
Rev.	Modification	Date	Done By

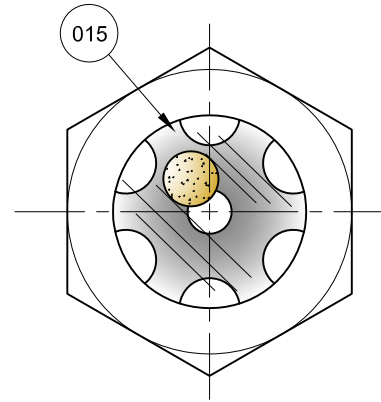
**Standard**



**Optional Reflector**

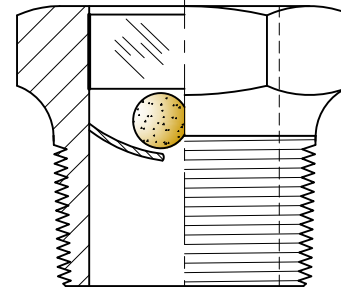
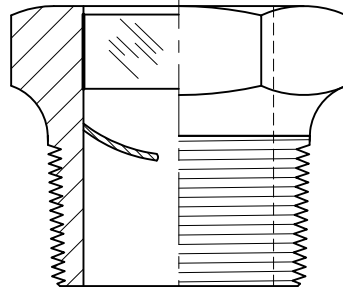
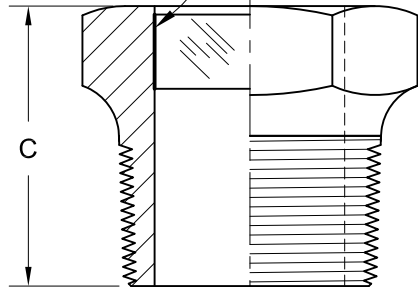


**Optional Reflector & Ball**



048  
011

**Glass Fused to Body Surface**



**Notes:**

1. Suitable for Full Vacuum Service  
30" of Hg. / 0 PSIA / 1 Atm.
2. Not Suitable for Steam Service
3. Max Temperature:  
-60°F - 500°F @ Amb. Pressure

**PRODUCT SPECIFICATIONS**

MNPT Size	A		B		C		Weight		Rating @ 69°F	
	In.	mm.	In.	mm.	In.	mm.	oz.	kg.	PSIG	kPa
	1/4	5/8	16	5/16	8	5/8	16	1	0.03	2000
3/8	3/4	19	7/16	11	3/4	18	1	0.03	1850	12,755
1/2	15/16	24	9/16	14	3/4	19	2	0.06	1750	12,066
3/4	1-1/16	27	3/4	19	15/16	24	2	0.06	1500	10,342
1	1-3/8	35	15/16	24	1-1/16	27	4	0.11	1250	8,618
1-1/4	1-3/4	44	1-3/16	30	1-1/4	32	7	0.20	1000	6,895
1-1/2	2	51	1-7/16	37	1-1/4	32	8	0.23	750	5,171
2	2-1/2	64	1-7/8	48	1-9/32	33	12	0.34	500	3,447

**W16 Series Configuration Choices:**

Reference the Series W16 Model Number Matrix on our Website or Inquire with our Sales Team

**BILL OF MATERIALS**

\* - Denotes an Optional, Non-Standard Material

No.	Name of Part	Qty.	Material	Material Grade/Notes
011	Body	1	Plated Carbon Steel	Electroless Nickel Plated
015	*Indicating Ball	1	Cork	*Aluminum, TPX, Nylon & Polypropylene
048	Lens	1	Soda Lime	
120	*Reflector	1	Stainless Steel	

**JOHN C ERNST LLC.**

www.JOHNERNST.com  
21 Gail Ct. Sparta, N.J. USA

Series W16 High Pressure Fused Glass Sight Plug

Sheet: 1 of 1	Drawn By: WAS	Tolerances, unless otherwise noted Dec.: ± Frac.: ±1/32" Ang.: ±	Size: A
Scale: NTS	Approved By: JCW		Rev.: --
Dim.: Var.	Date: 31-MAR-17	Dwg. No.: SC2.00W16.00.0.0	