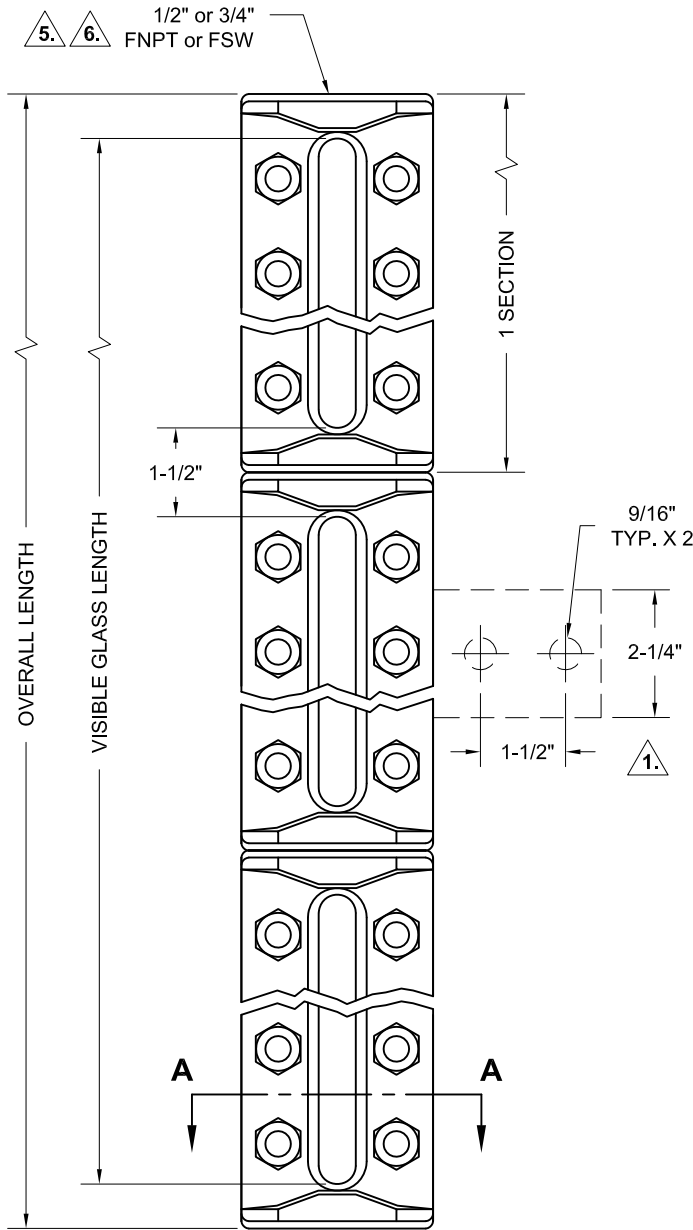
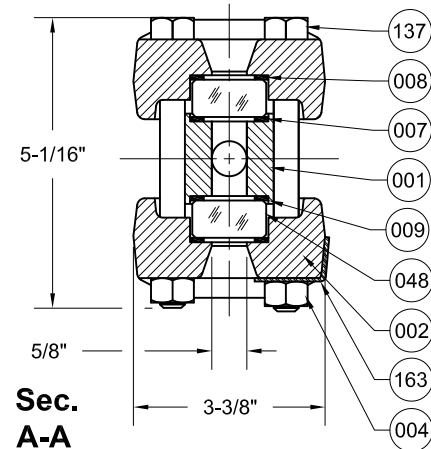


REVISIONS			
Rev.	Modification	Date	Done By
0	Reworked Charts	3/18/2019	NPH



PRODUCT SPECIFICATIONS									
Sections & Glass Size	Bolts	Nuts	Overall Length (in.)	Visible Length (in.)	No. of Sect.	Glass Size	Wgt. 1, 5 (lbs.)	Minimum Vessel Centers Off Valves with NPT Gauge Connections 2	
								With Rigid Valves	With Union Valves
11	6	6	5-1/4	3-3/4		1	13	9-3/8	11-7/8
12	6	6	6-1/4	4-3/4		2	15	10-3/8	12-7/8
13	8	8	7-1/4	5-3/4		3	17	11-3/8	13-7/8
14	10	10	8-1/4	6-3/4		4	20	12-3/8	14-7/8
15	10	10	9-3/8	7-7/8	1	5	22	13-1/2	16
16	12	12	10-5/8	9-1/8		6	25	14-3/4	17-1/4
17	14	14	11-3/4	10-1/4		7	28	15-7/8	18-3/8
18	16	16	13-3/8	11-7/8		8	31	17-1/2	20
19	16	16	14-1/8	12-5/8		9	33	18-1/4	20-3/4
23	16	16	14-1/2	13		3	35	18-5/8	21-1/8
24	20	20	16-1/2	15		4	39	20-5/8	23-1/8
25	20	20	18-3/4	17-1/4		5	44	22-7/8	25-3/8
26	24	24	21-1/4	19-3/4	2	6	50	25-3/8	27-7/8
27	28	28	23-1/2	22		7	55	27-5/8	30-1/8
28	32	32	26-3/4	25-1/4		8	62	30-7/8	33-3/8
29	32	32	28-1/4	26-3/4		9	65	32-3/8	34-7/8
36	36	36	31-7/8	30-3/8		6	75	36	38-1/2
37	42	42	35-1/4	33-3/4	3	7	82	39-3/8	41-7/8
38	48	48	40-1/8	38-5/8		8	93	44-1/4	46-3/4
39	48	48	42-3/8	40-7/8		9	98	46-1/2	49
47	56	56	47	45-1/2		7	109	51-1/8	53-5/8
48	64	64	53-1/2	52	4	8	124	57-5/8	60-1/8
49	64	64	56-1/2	55		9	130	60-5/8	63-1/8
57	70	70	58-3/4	57-1/4		7	137	62-7/8	65-3/8
58	80	80	66-7/8	65-3/8	5	8	155	71	73-1/2
59	80	80	70-5/8	69-1/8		9	163	74-3/4	77-1/4
68	96	96	80-1/4	78-3/4	6	8	186	84-3/8	86-7/8
69	96	96	84-3/4	83-1/4		9	196	88-7/8	91-3/8
78	112	112	93-5/8	92-1/8	7	8	217	97-3/4	100-1/4
79	112	112	98-7/8	97-3/8		9	228	103	105-1/2
88	128	128	107	105-1/2	8	8	248	111-1/8	113-5/8
89	128	128	113	111-1/2		9	261	117-1/8	119-5/8
98	144	144	120-3/8	118-7/8	9	8	279	124-1/2	127
99	144	144	127-1/8	125-5/8		9	294	131-1/4	133-3/4

- NOTES:**
1. Mounting Bracket Included on Gauges >165 lbs. Inquire for Exact Placement Requirements.
 2. Values For End Connected Gauges. Please Inquire for Side/Back Connected Gauges
 3. Ratings Limited to Glass, Gasket, and Valve Ratings
 4. All Wetted Components Comply with NACE MR-01-75
 5. 3/4" Connections are Recommended for Gauges >100 lbs.
 6. Socketweld Connections are not Compliant with B31.11 for Side/Back Connect and 3/4" End Connected Gauges. Inquire if Compliance is Needed



BILL OF MATERIALS					
* - Denotes an Optional, Non-Standard Material					
Item No.	Name of Part	Qty.	Material	Max. Temp. (°F)	Material Grade / Notes
001	Chamber	1	Carbon Steel		ASTM A696 Gr.C / A105
			*Low-Temp. Carbon		ASTM A350-LF2
			*316SS/316LSS		ASTM A511
007	Gasket	2/Sec.	Non-Asbestos Fiber	550	IFG5500
			*Graphite	572	SS Reinforced
			*PTFE	500	15% Glass Filled
009	Inner Shield	2/Sec.	Mica V4		Required for Steam Applications
048	Glass	2/Sec.	Tempered Boro.	572	
			*Aluminosilicate	800	
002	Retaining Cover	2/Sec.	Carbon Steel		ASTM A105
			*Low-Temp. Carbon		ASTM A350-LF2
			*316SS		ASTM A276
004	Nuts	Var.	Carbon Steel		ASTM A194 2H
			*316SS		ASTM A194-8M
008	Glass Cushion	2/Sec.	Non-Asbestos Fiber	550	IFG5500
			*Graphite	572	SS Reinforced
125	Spring Washers	Var.	17-7PH SS		For Higher Steam Ratings
137	Bolts	Var.	Alloy Steel		ASTM A193 B7
163	ID Tag	1	*316SS		ASTM A193-B8M
			SS		

RATINGS 3									
Temp. (°F)	Non-Steam Pressure Range with Std. Gaskets (PSIG)								
	Size #1	Size #2	Size #3	Size #4	Size #5	Size #6	Size #7	Size #8	Size #9
100	2000	1850	1750	1600	1500	1350	1250	1100	1000
200	1900	1780	1660	1550	1440	1300	1175	1060	950
300	1770	1660	1550	1450	1330	1220	1100	1000	900
400	1675	1575	1470	1350	1250	1150	1050	925	850
500	1530	1450	1350	1250	1150	1050	950	850	750
550	1440	1362	1265	1175	1080	987	900	800	712
Temp. (°F)	Non-Steam Pressure Range with Graphite & Aluminosilicate (PSIG)								
	Size #1	Size #2	Size #3	Size #4	Size #5	Size #6	Size #7	Size #8	Size #9
600	1350	1275	1180	1100	1010	925	850	750	675
700	1220	1140	1070	990	920	840	760	690	610
800	1100	1030	960	890	820	750	690	620	550
Temp. (°F)	STEAM Pressure with Std. Gaskets (PSIG)								
	Size #1	Size #2	Size #3	Size #4	Size #5	Size #6	Size #7	Size #8	Size #9
421	300	300	300	300	300	300	300	300	300

SATURATED STEAM RATINGS									
With Required Mica Shields (PSIG) 3									
Size #1	Size #2	Size #3	Size #4	Size #5	Size #6	Size #7	Size #8	Size #9	
600 @ 489°F				550 @ 479°F	500 @ 470°F	450 @ 460°F	400 @ 448°F	350 @ 435°F	
Spring Washers & Mica Shields Required					Only Mica Shields Required				

H13B Series Configuration Choices:

Reference the Series H13B Model Number Matrix on our Website or Inquire with our Sales Team

JOHN C ERNST LLC.				www.johnernst.com 21 Gail Ct. Sparta, N.J. USA	
Series H13B - Transparent Armored Level Gauge					
Sheet: 1 of 1	Drawn By: WAS	Tolerances, unless otherwise noted Dec.: ± Frac.: ± Ang.: ±		Size: B	
Scale: NTS	Approved By: GEW	Date: 21-OCT-16		Dwg. No.: SC2.0H13B.01.0.0	
Dim.: Inches				Rev.: -	