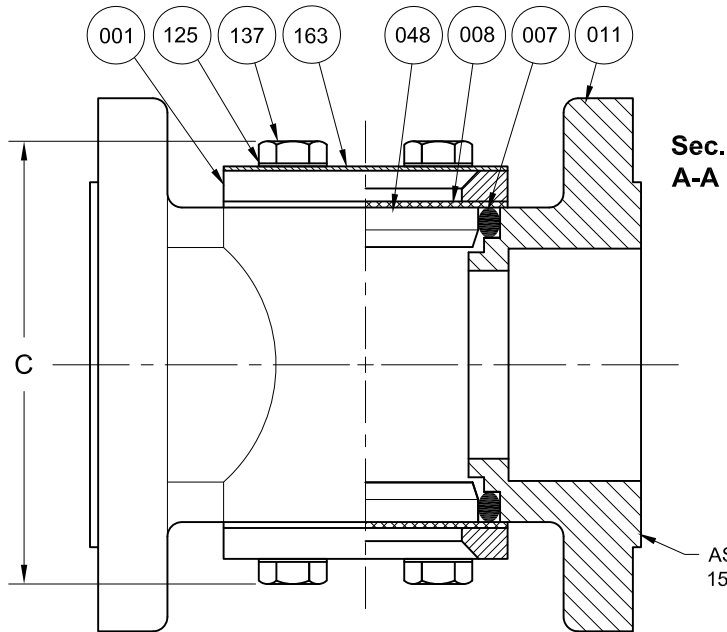
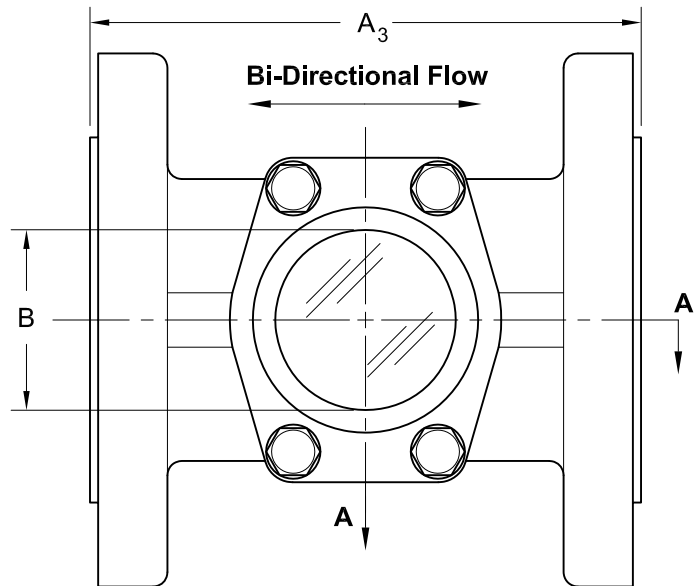


REVISIONS			
Rev.	Modification	Date	Done By



RATINGS ₂	
Temp. (°F)	Pressure (PSIG)
-20 to 150	200
200	165
225	150
250	135
300	100
350	70
400	35

*Consult Sales for Alt. Ratings

BILL OF MATERIALS					
* - Denotes an Optional, Non-Standard Material					
No.	Name of Part	Qty.	Material	Max. Temp. (°F)	Material Grade/Notes
011	Body	1	Carbon Steel		ASTM A216-WCB
			316LSS		ASTM A351-CF8M
007	Gasket	2	Neoprene	250	
			Viton®	400	
			*EPDM	250	
			*PTFE	400	
			*Kalrez®	400	
			*Buna-N	212	
048	Lens	2	Annealed Borosiccate		
001	Retainer	2	Plated Steel		
008	Cushion	2	Non-Asbestos Fiber		
009	Outer Shield (Opt.)	1	*Polycarbonate	200	(Not Pictured)
125	Washers	4	Plated Steel		
137	Studs	8	Plated Steel		
163	Nameplate	1	Aluminum		

PRODUCT SPECIFICATIONS									
Flange Size	A		B		C		Weight		Vacuum ₁
	In.	mm.	In.	mm.	In.	mm.	lbs.	kg.	PSIG
3	8	203.2	3	76.2	7-5/8	193.7	32.1	14.56	-12.6
3 ₃	9-3/8	238.1	3	76.2	7-5/8	193.7	31.8	14.42	-12.6
4	9	228.6	3	76.2	7-5/8	193.7	43.9	19.91	-12.6
4 ₃	11	279.4	3	76.2	7-5/8	193.7	44.2	20.05	-12.6

Notes:

- Vacuum Service Rating: 85.5% of Full Vacuum / 25.6" of Hg. / 2.1 PSIA
- Limited to Glass, Gasket, & Indicator Ratings
- Request Extended OAL Unit for 9-3/8" or 11" Length

S13F Series Configuration Choices:

Reference the Series S13F Model Number Matrix on our Website or Inquire with our Sales Team

Kalrez® is a Registered Trademark of E.I. DuPont de Nemours Co. Inc.
Viton® is a Registered Trademark of the Chemours Company

JOHN C ERNST LLC.		www.johnernst.com 21 Gall Ct. Sparta, N.J. USA	
Series S13F Plain SFIs 3" - 4" Flanges			
Sheet: 1 of 1	Drawn By: WAS	Tolerances, unless otherwise noted Dec.: ± Frac.: ± Ang.: ±	Size: A
Scale: NTS	Approved By: JCW		Rev.: --
Dim.: Var.	Date: 13-JAN-17	Dwg. No.: SC2.0S13F.00.2.0	