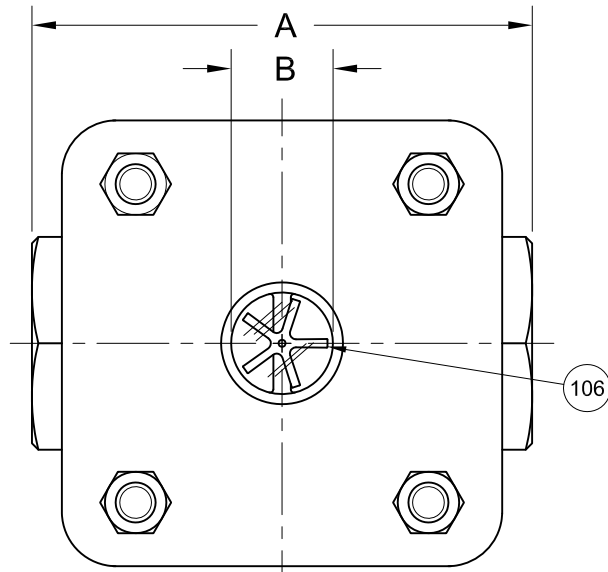


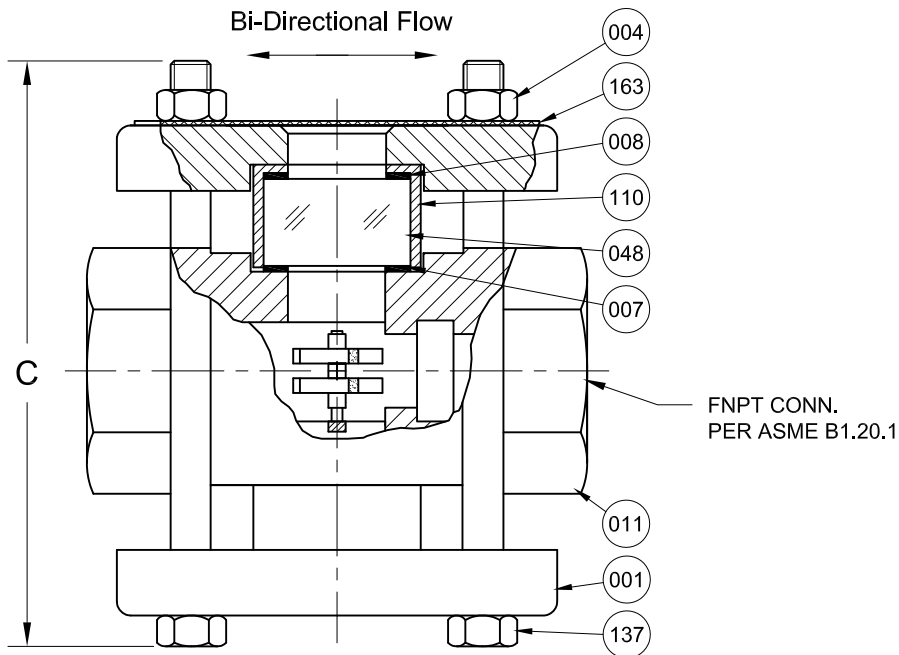
REVISIONS			
Rev.	Modification	Date	Done By



ASME CLASS 900 SERVICE PRESSURE/TEMP. RATINGS		
*Limited to Gasket & Glass Material		
Temp. (°F)	Pressure (PSIG)	
	CS	316SS
-20 to 100	2220	2160
150	2128	2010
200	2035	1860
250	2000	1770
300	1965	1680
350	1933	1610
400	1900	1540
450	1855	1488
500	1810	1435

*Consult Sales for Higher & Lower Temps.

BILL OF MATERIALS						
* - Denotes an Optional, Non-Standard Material						
No.	Name of Part	Qty.	Material	Max. Temp. (°F)	Material Grade / Notes	
Wetted	011	1	Painted Carbon Steel		ASTM A216-WCB	
			316SS		ASTM A351-CF8M	
	007	2	Non Asbestos Fiber	500	IFG-5500	
			Gylon®	500	Gylon® 3545	
048	Lens	2	Tempered Boro.	500		
106	Rotor Assembly	1	316SS / PTFE	500		
Non-Wetted	001	2	Electro-Galvanized Zinc Plated Carbon Steel		ASTM A216-WCB or A516 Gr. 70	
			*316SS			
	004	4	Yellow Zinc Plated Steel		ASTM A194-2H	
			*316SS			
	008	Shim Gasket	6	Non-Asbestos Fiber	500	IFG-5500
	110	2	Carbon Steel			
*316SS						
137	4	Yellow Zinc Plated Steel		ASTM A354-BD		
		*316SS				
163	Name Plate	1	SS			



PRODUCT SPECIFICATIONS								
FNPT Size	A		B		C ₁		Weight	
	In.	mm.	In.	mm.	In.	mm.	lbs.	kg.
1/4	3-3/4	95	13/16	21	6	152	13.2	6.0
3/8	3-3/4	95	13/16	21	6	152	13.2	6.0
1/2	4-1/2	114	1-1/16	27	6-1/2	165	13.2	6.0
3/4	4-1/2	114	1-1/16	27	6-1/2	165	13.2	6.0
1	4-7/8	124	1-1/4	32	8	203	15.6	7.1
1-1/4	6	152	2	51	10-1/2	267	32.4	14.7
1-1/2	6	152	2	51	10-1/2	267	32.4	14.7
2	6	152	2	51	10-1/2	267	32.4	14.7

KEY NOTES:

- Standard Bolt Length Shown in "C" Dimension (±1/8")
- Dual Window & Fused Glass Options Available by Request
- In Accordance with NACE MR-01-75 & ISO15156-1 for Wetted Materials

S16T Series Configuration Choices:

Reference the Series S16T Model Number Matrix on our Website or Inquire with our Sales Team

Gylon® is a Registered Trademark of Garlock Sealing Technologies

JOHN C ERNST LLC.		www.johnernst.com 21 Gail Ct. Sparta, N.J. USA	
Series S16T Class 900# Female Threaded Rotor SFI - Type B			
Sheet: 1 of 1	Drawn By: WAS	Tolerances, unless otherwise noted Dec.: ± Frac.: ± Ang.: ±	Size: A
Scale: NTS	Approved By: GEW		
Dim.: Var.	Date: 06-MAR-18	Dwg. No.: SC2.0S16T.01.1.0	Rev.: --