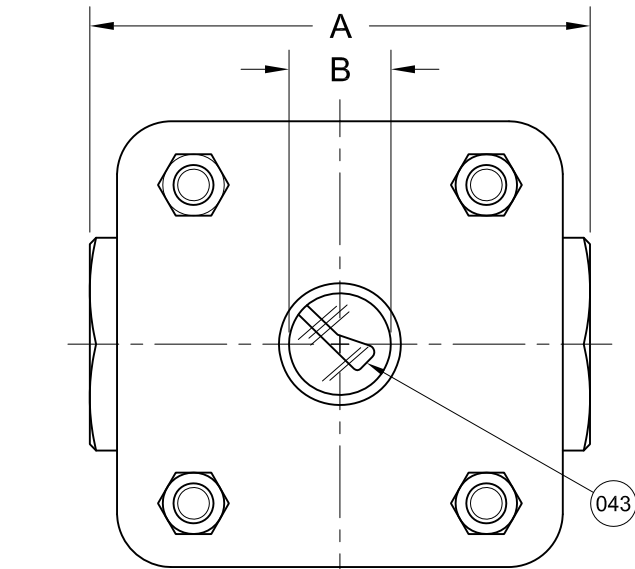


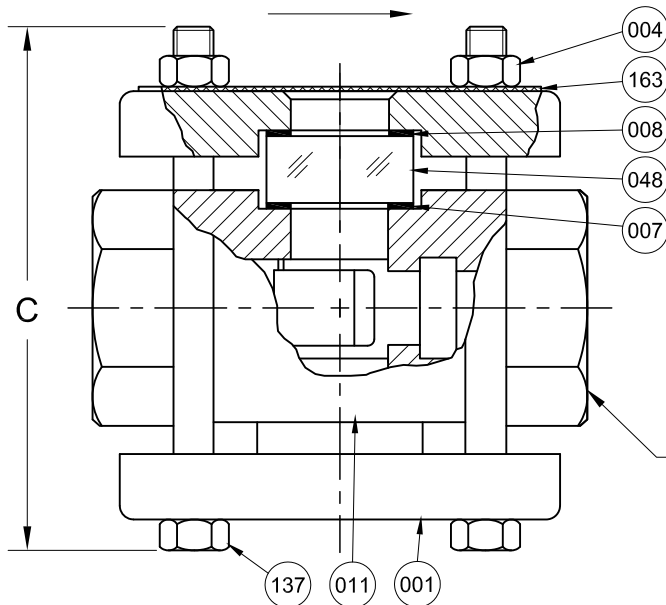
REVISIONS			
Rev.	Modification	Date	Done By
A	Updated Materials	10/10/2022	NPH
B	Added Flowrates	2/7/2023	NPH



ASME CLASS 600 SERVICE PRESSURE/TEMP. RATINGS
*Limited to Gasket & Glass Material

Temp. (°F)	Pressure (PSIG)	
	CS	316SS
-20 to 100	1480	1440
150	1415	1340
200	1350	1240
250	1335	1180
300	1315	1120
350	1290	1075
400	1270	1030
450	1235	990
500	1200	955

*Consult Sales for Higher & Lower Temps.



Female NPT Per ASME B1.20.1

BILL OF MATERIALS
* - Denotes an Optional, Non-Standard Material

No.	Name of Part	Qty.	Material	Max. Temp. (°F)	Material Grade / Notes
011	Body	1	Painted Carbon Steel		ASTM A216-WCB
			316SS / 316LSS†		ASTM A351-CF8M / A351-CF3M
007	Gasket	2	Neoprene	250	
			Gylon®	500	Gylon® 3545
			*Viton®	350	
			*Graphite	500	
	*Non Asbestos	500	IFG-5500		
043	Flapper Assembly	1	316SS		
048	Lens	2	Tempered Boro.	500	
001	Retainer	2	Electro-Galvanized Zinc Carbon Steel		ASTM A216-WCB or ASTM A516 GR.70
			*316SS		
			Yellow Zinc Plated Steel		ASTM A194-2H
			*316SS		
004	Nut	4			
008	Cushion	2	Non-Asbestos	500	IFG-5500
137	Stud	4	Yellow Zinc Plated Steel		ASTM A354-BD
			*316SS		
163	Name Plate	1	SS		

† - Stainless Steel bodies are Dual-Rated 316 Stainless

PRODUCT SPECIFICATIONS

FNPT Size	A		B		C ₁		Weight		Min Flow Horizontal ₄		Min Flow Vertical ₄		Max Flow Velocity _{4 5}	
	In.	mm.	In.	mm.	In.	mm.	lbs.	kg.	gpm	lpm	gpm	lpm	Ft/Sec	M/Sec
1/4	3-3/4	95	13/16	21	4-1/4	108	7.2	3.3	0.75	2.8	2	7.6	15	4.6
3/8	3-3/4	95	13/16	21	4-1/4	108	7.2	3.3	0.75	2.8	2	7.6	15	4.6
1/2	4-1/2	114	1-1/16	27	5	127	13.2	6.0	1.25	4.7	3	11.4	15	4.6
3/4	4-1/2	114	1-1/16	27	5	127	13.2	6.0	1.5	5.7	4	15.1	15	4.6
1	4-7/8	124	1-1/4	32	5-1/2	140	14.4	6.5	2	7.6	5	19	15	4.6
1-1/4	6	152	2	51	7-1/2	191	24.0	10.9	5	19	11	42	15	4.6
1-1/2	6	152	2	51	7-1/2	191	24.0	10.9	5	19	13	49	15	4.6
2	6	152	2	51	7-1/2	191	24.0	10.9	8	30	15	57	15	4.6

Notes:

- Standard Bolt Length Shown in "C" Dimension (±1/8")
- Dual Window & Fused Glass Options Available by Request
- In Accordance with NACE MR-01-75 & ISO15156-1 for Wetted Materials
- Flow data is an Approximation based on ambient temperature water and is not a performance guarantee.
- Maximum Velocity is based on petroleum standard practices recommended pipe velocities.

S16T Series Configuration Choices:

Reference the Series S16T Model Number Matrix on our Website or Inquire with our Sales Team

Gylon® is a Registered Trademark of Garlock Sealing Technologies
Viton® is a Registered Trademark of the Chemours Company

JOHN C ERNST LLC.
www.johnernst.com
21 Gail Ct. Sparta, N.J. USA

Series S16T Class 600# Female Threaded Flapper SFI - Type B

Sheet: 1 of 1	Drawn By: WAS	Tolerances, unless otherwise noted Dec.: ± Frac.: ± Ang.: ±	Size: A
Scale: NTS	Approved By: JCW		
Dim.: Var.	Date: 06-MAR-18	Dwg. No.: SC2.OS16T.02.0.0	Rev.: B