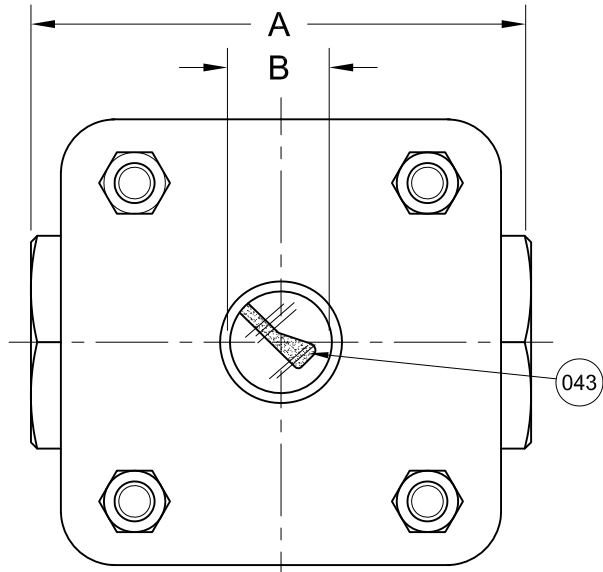


REVISIONS			
Rev.	Modification	Date	Done By
A	Added Flowrates	2/7/2023	NPH



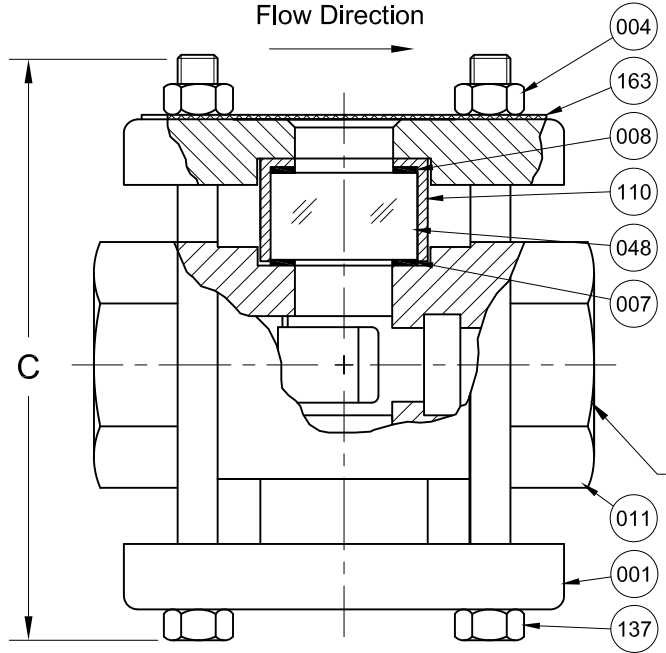
ASME CLASS 1500 SERVICE PRESSURE/TEMP. RATINGS
 *Limited to Gasket & Glass Material

Temp. (°F)	Pressure (PSIG)	
	CS	316SS
-20 to 100	3705	3600
150	3550	3348
200	3395	3095
250	3333	2945
300	3270	2795
350	3220	2683
400	3170	2570
450	3093	2480
500	3015	2390

*Consult Sales for Higher & Lower Temps.

BILL OF MATERIALS
 * - Denotes an Optional, Non-Standard Material

No.	Name of Part	Qty.	Material	Max. Temp. (°F)	Material Grade / Notes
011	Body	1	Painted Carbon Steel		ASTM A216-WCB
			316SS		ASTM A351-CF8M
007	Gasket	2	Non Asbestos Fiber	500	IFG-5500
			Gylon®	500	Gylon® 3545
			*Graphite	500	
048	Lens	2	Tempered Boro.	500	
043	Flapper Assembly	1	316SS		
001	Retainer	2	Electro-Galvanized Zinc Plated Carbon Steel		ASTM A216-WCB or A516 Gr. 70
			*316SS		
	Nut	4	Yellow Zinc Plated Steel		ASTM A194-2H
			*316SS		
	Shim Gasket	6	Non-Asbestos Fiber	500	IFG-5500
	Glass Holder	2	Carbon Steel		ASTM A216-WCB
*316SS				ASTM A351-CF8M	
Stud	4	Yellow Zinc Plated Steel		ASTM A354-BD	
		*316SS			
163	Name Plate	1	SS		



FNPT CONN.
 PER ASME B1.20.1

PRODUCT SPECIFICATIONS

FNPT Size	A		B		C ₁		Weight		Min Flow Horizontal ₄		Min Flow Vertical ₄		Max Flow Velocity _{4,5}	
	In.	mm.	In.	mm.	In.	mm.	lbs.	kg.	gpm	lpm	gpm	lpm	Ft/Sec	M/Sec
1/4	3-3/4	95	13/16	21	6	152	14.4	6.5	0.75	2.8	2	7.6	15	4.6
3/8	3-3/4	95	13/16	21	6	152	14.4	6.5	0.75	2.8	2	7.6	15	4.6
1/2	4-1/2	114	1-1/16	27	7-1/2	191	15.6	7.1	1.25	4.7	3	11.4	15	4.6
3/4	4-1/2	114	1-1/16	27	7-1/2	191	15.6	7.1	1.5	5.7	4	15.1	15	4.6
1	4-7/8	124	1-1/4	32	8	203	16.8	7.6	2	7.6	5	19	15	4.6
1-1/4	6	152	2	51	10-1/2	267	40.8	18.5	5	19	11	42	15	4.6
1-1/2	6	152	2	51	10-1/2	267	40.8	18.5	5	19	13	49	15	4.6
2	6	152	2	51	10-1/2	267	40.8	18.5	8	30	15	57	15	4.6

- Notes:**
- Standard Bolt Length Shown in "C" Dimension (±1/8")
 - Dual Window & Fused Glass Options Available by Request
 - In Accordance with NACE MR-01-75 & ISO15156-1 for Wetted Materials
 - Flow data is an Approximation based on ambient temperature water and is not a performance guarantee.
 - Maximum Velocity is based on petroleum standard practices recommended pipe velocities.

S16T Series Configuration Choices:
 Reference the Series S16T Model Number Matrix on our Website or Inquire with our Sales Team

Gylon® is a Registered Trademark of Garlock Sealing Technologies

www.johnernst.com
 21 Gall Ct. Sparta, N.J. USA

JOHN C ERNST LLC.

Series S16T Class 1500# Female Threaded Flapper SFI

Sheet: 1 of 1	Drawn By: WAS	Tolerances, unless otherwise noted Dec.: ± Frac.: ± Ang.: ±	Size: A
Scale: NTS	Approved By: JCW		Dim.: Var.
Dwg. No.: SC2.0S16T.02.2.0		Rev.: A	