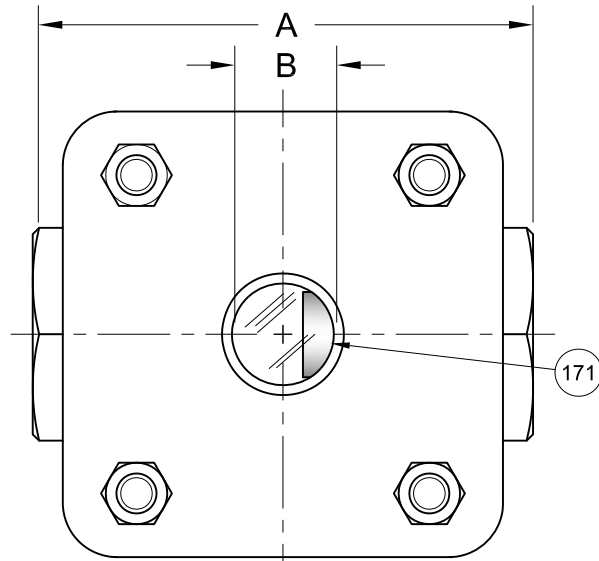
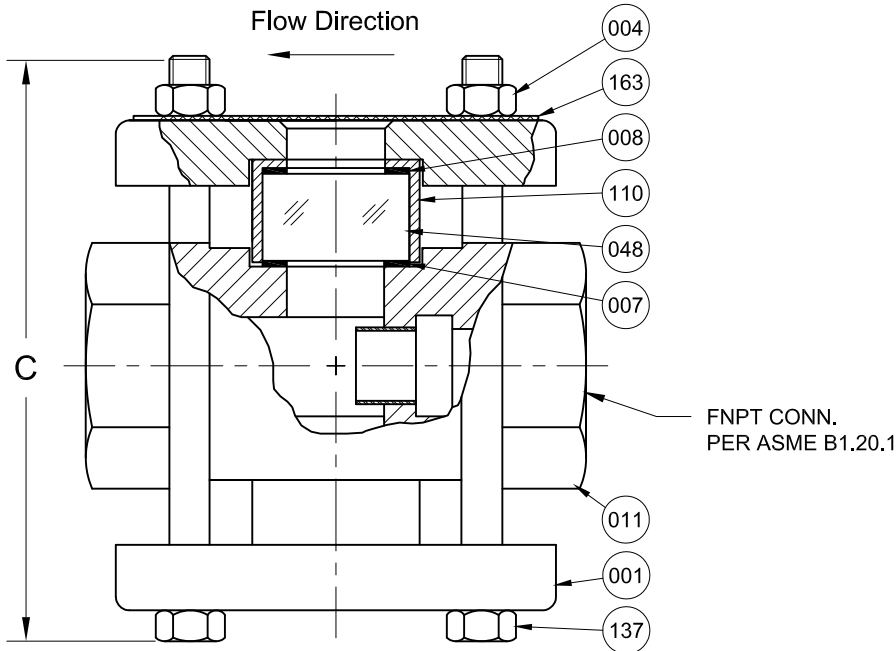


REVISIONS			
Rev.	Modification	Date	Done By



ASME CLASS 1500 SERVICE PRESSURE/TEMP. RATINGS		
*Limited to Gasket & Glass Material		
Temp. (°F)	Pressure (PSIG)	
	CS	316SS
-20 to 100	3705	3600
150	3550	3348
200	3395	3095
250	3333	2945
300	3270	2795
350	3220	2683
400	3170	2570
450	3093	2480
500	3015	2390

\*Consult Sales for Higher & Lower Temps.



BILL OF MATERIALS					
* - Denotes an Optional, Non-Standard Material					
No.	Name of Part	Qty.	Material	Max. Temp. (°F)	Material Grade / Notes
Wetted	011	1	Painted Carbon Steel		ASTM A216-WCB
			316SS		ASTM A351-CF8M
	007	2	Non Asbestos Fiber	500	IFG-5500
			Gylon®	500	Gylon® 3545
048	2	Tempered Boro.	500		
171	1	316SS			
Non-Wetted	001	2	Electro-Galvanized Zinc Plated Carbon Steel		ASTM A216-WCB or A516 Gr. 70
			*316SS		
	004	4	Yellow Zinc Plated Steel		ASTM A194-2H
			*316SS		
	008	6	Non-Asbestos Fiber	500	IFG-5500
	110	2	Carbon Steel		ASTM A216-WCB
*316SS				ASTM A351-CF8M	
137	4	Yellow Zinc Plated Steel		ASTM A354-BD	
		*316SS			
163	1	SS			

PRODUCT SPECIFICATIONS								
FNPT Size	A		B		C <sub>1</sub>		Weight	
	In.	mm.	In.	mm.	In.	mm.	lbs.	kg.
1/4	3-3/4	95	13/16	21	6	152	14.4	6.5
3/8	3-3/4	95	13/16	21	6	152	14.4	6.5
1/2	4-1/2	114	1-1/16	27	7-1/2	191	15.6	7.1
3/4	4-1/2	114	1-1/16	27	7-1/2	191	15.6	7.1
1	4-7/8	124	1-1/4	32	8	203	16.8	7.6
1-1/4	6	152	2	51	10-1/2	267	40.8	18.5
1-1/2	6	152	2	51	10-1/2	267	40.8	18.5
2	6	152	2	51	10-1/2	267	40.8	18.5

**KEY NOTES:**

- Standard Bolt Length Shown in "C" Dimension (±1/8")
- Dual Window & Fused Glass Options Available by Request
- In Accordance with NACE MR-01-75 & ISO15156-1 for Wetted Materials

**S16T Series Configuration Choices:**

Reference the Series S16T Model Number Matrix on our Website or Inquire with our Sales Team

Gylon® is a Registered Trademark of Garlock Sealing Technologies

<b>JOHN C ERNST LLC.</b>		www.johnernst.com 21 Gail Ct. Sparta, N.J. USA		
				Series S16T 1500# Female Threaded Drip Tube SFI - Type B
Sheet: 1 of 1	Drawn By: WAS	Tolerances, unless otherwise noted Dec.: ± Frac.: ± Ang.: ±		Size: A
Scale: NTS	Approved By: GEW	Date: 06-MAR-18		Dwg. No.: SC2.0S16T.05.2.0
Dim.: Var.	Date: 06-MAR-18	Dwg. No.: SC2.0S16T.05.2.0		Rev.: --