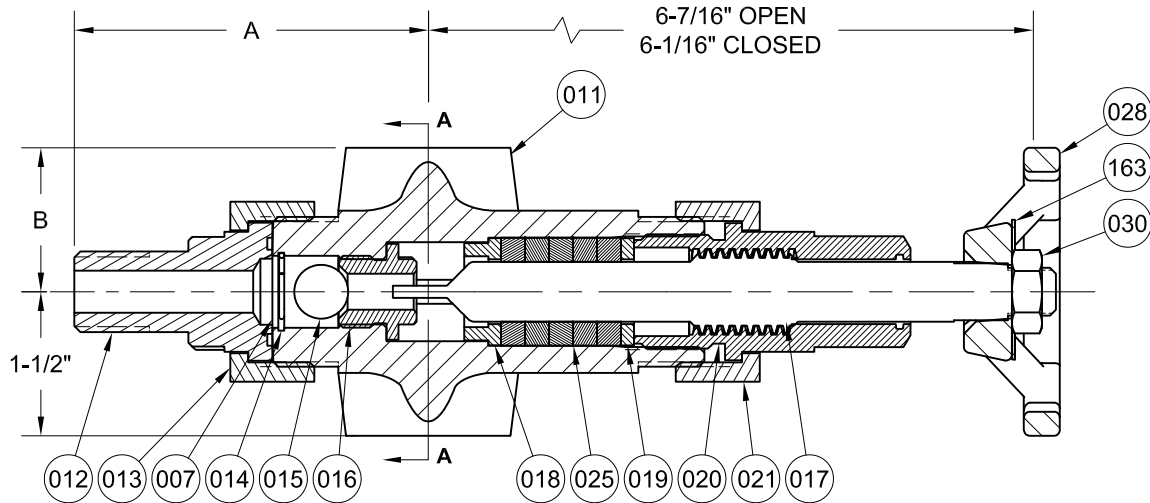
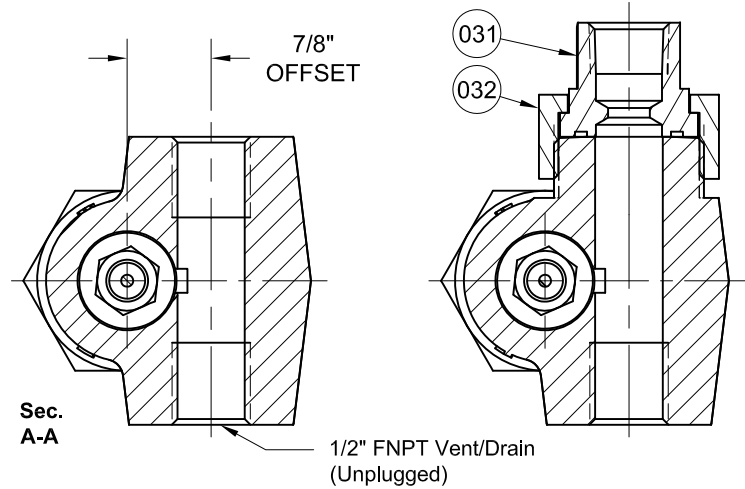


REVISIONS			
Rev.	Modification	Date	Done By
A	Updated Design, Dims & Layout	7/20/2021	NPH



Offset Rigid
Gauge Connection

Offset Union
Gauge Connection



CARBON STEEL BODIES 2 Valves / Set

PRODUCT SPECIFICATIONS

Vessel Conn. ₁ (MNPT)	Gauge Conn. ₁ Type	Gauge Conn. ₁ (FNPT)	Pressure Ratings (PSIG) ₂	A Dimension		B Dimension	
				In.	mm.	In.	mm.
1/2"	Rigid	1/2"	Saturated Steam 600 @ 489°F	3-11/16	94	1-1/2	38
3/4"				3-11/16	94	1-1/2	38
1"				4-1/8	105	1-1/2	38
1/2"	Union		Non-Steam 4000 @ 100°F 1308 @ 800°F	3-11/16	94	2-11/16	68
3/4"				3-11/16	94	2-11/16	68
1"				4-1/8	105	2-11/16	68

V11B Series Configuration Choices:

Reference the Series V11B Model Number Matrix on our Website or Inquire with our Sales Team

KEY NOTES:

1. Please Inquire for Other Gauge & Vessel Connection Sizes & Types
2. Limited to Gauge Pressure Rating
3. Top and Bottom Valves Interchangeable

BILL OF MATERIALS

Item No.	Name of Part	Qty.	Material	Material Grade / Notes
007	Tailpipe Gasket	1	Graphite/304SS	
011	Valve Body	1	Low Temp CS	A350 GR.LF2
012	Vessel Tailpipe	1	Low Temp CS	A350 GR.LF2
014	Ball Check Retainer	1	316SS	
015	Ball Check	1	440SS	
016	Stem Seat	1	416SS	QQ-S-763
017	Stem	1	416SS	QQ-S-763
018	Stem Packing Retainer	1	Low Temp CS	A350 GR.LF2
020	Bonnet	1	Low Temp CS	A350 GR.LF2
025	Stem Packing	5	Graphite	G289
031	Gauge Tailpipe	1	Low Temp CS	A350 GR.LF2 (Union Only)
013	Vessel Union Nut	1	Low Temp CS	A350 GR.LF2
019	Stem Packing Gland	1	Low Temp CS	A350 GR.LF2
021	Bonnet Nut	1	Low Temp CS	A350 GR.LF2
028	Handwheel	1	Carbon Steel	
030	Handwheel Nut	1	Carbon Steel	ASTM A563
032	Gauge Union Nut	1	Low Temp CS	A350 GR.LF2 (Union Only)
163	Tag	1	304SS	

JOHN C ERNST LLC.

www.johnernst.com
21 Gall Ct. Sparta, N.J. USA

Series V11B Style 460 High Pressure Offset Valves - Carbon Steel

Sheet: 1 of 1	Drawn By: NPH	Tolerances, unless otherwise noted Dec.: ± Frac.: ±1/16 Ang.: ±	Size: A
Scale: NTS	Approved By GEW		Rev.: A
Dim.: Var.	Date: 20-JUL-21	Dwg. No.: SC2.0V11B.01.0.0	