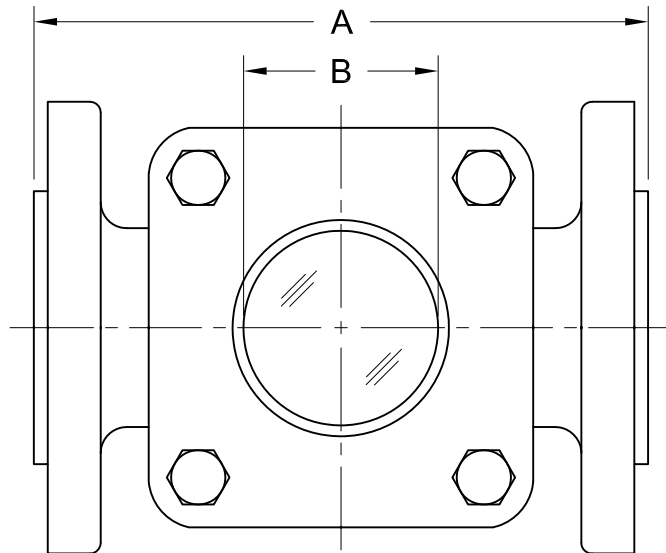
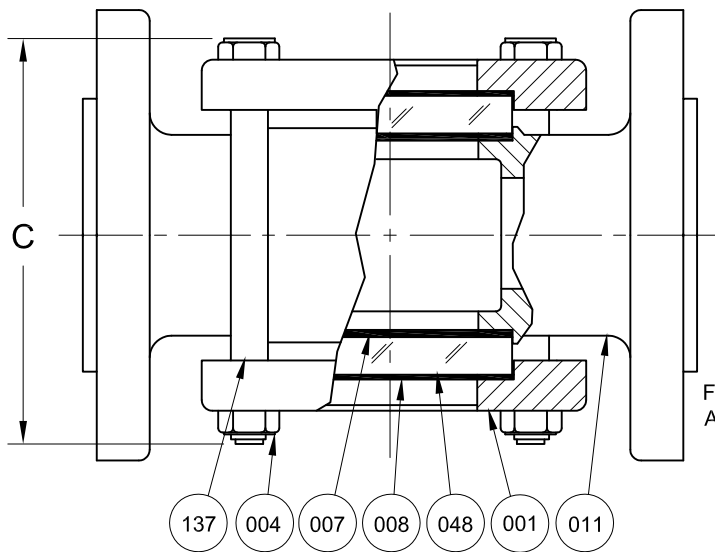


REVISIONS			
Rev.	Modification	Date	Done By
A	Updated Materials	10/10/2022	NPH



Bi-Directional Flow



**ASME Class 300 Service Press./Temp. Ratings**  
\*Limited to Gasket & Glass Material

Temp. (°F)	Pressure (PSIG)	
	CS	316SS
-20 to 100	740	720
150	710	670
200	680	620
250	665	590
300	655	560
350	645	535
400	635	515
450	620	495
500	605	480

\*Consult Sales for Higher & Lower Temps.

**BILL OF MATERIALS**  
\* - Denotes an Optional, Non-Standard Material

No.	Name of Part	Qty.	Material	Max. Temp. (°F)	Material Grade
011	Body	1	Electro-Galvanized Zinc Plated Carbon Steel		ASTM A216 WCB
			316SS		ASTM A351 CF8M
007	Gasket	2	Neoprene	250	
			Gylon®	500	Gylon® 3545
			*EPDM	250	
			*Viton®	350	
			*Graphite	500	
			*Non Asbestos	500	
048	Lens	2	Tempered Boro.	500	
008	Cushion	2	Non-Asbestos	500	
001	Retainer	2	Electro-Galvanized Zinc Plated Carbon Steel		ASTM A516 Gr.70
			*316SS		ASTM A240
137	Stud	Var.	Yellow Zinc Plated Steel		ASTM A354-BD
			*316SS		ASTM A193-B8M-CL2
004	Nut	Var.	Yellow Zinc Plated Steel		ASTM A194-2H
			*316SS		ASTM A194-8M
163	Name Plate	1	304SS		Not Pictured (Wired to Unit)

**PRODUCT SPECIFICATIONS**

Flange Size	A		B		C <sub>2</sub>		Weight		# of Bolts
	In.	mm.	In.	mm.	In.	mm.	lbs.	kg.	
1/2 & 3/4	5-7/8	149	1	25	5-1/4	133	9-1/2	4.3	4
1	6-7/8	175	1-1/4	32	5-1/4	133	17	7.7	4
1-1/2	7-1/2	191	2	51	7-3/8	187	24	10.9	4
2	8-5/8	219	2	51	7-5/8	194	35	15.9	4
2-1/2 & 3	11-3/8	289	3-3/16	81	10-5/8	270	64	29.0	4
4	13-1/4	337	4-1/4	108	13	330	135	61.2	4
6	21-3/8	543	5-1/2	140	17-1/8	435	250	113.4	12
8	23	584	5-1/2	140	19	483	335	152.0	12

**Notes:**

1. Fused & Dual Glass Options are also Available
2. Standard Bolt Length for "C" Dimension (±1/8")
3. Carbon Steel & 316SS Bodies Conform to NACE MR0175 for Wetted NACE Service

**S16FB Series Configuration Choices:**

Reference the Series S16FB Model Number Matrix on our Website or Inquire with our Sales Team

Gylon® is a Registered Trademark of Garlock Sealing Technologies  
Viton® is a Registered Trademark of The Chemours Company

<b>JOHN C ERNST LLC.</b>		www.JOHNERNST.com 21 Gail Ct. Sparta, N.J. USA	
Series S16FB Sight Flow Indicator - Plain 300# Flanged			
Sheet: 1 of 1	Drawn By: WAS	Tolerances, unless otherwise noted Dec.: ±    Frac.: ±    Ang.: ±	Size: A
Scale: NTS	Approved By GEW		
Dim.: Var.	Date: 27-JAN-17	Dwg. No.: SC2.S16FB.00.0.0	Rev.: A