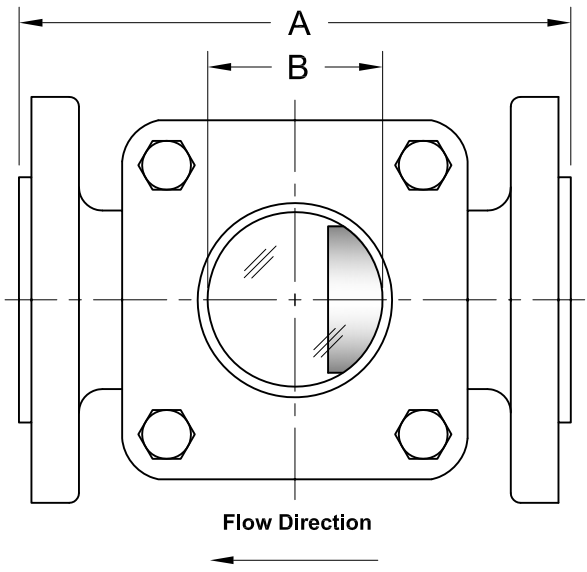


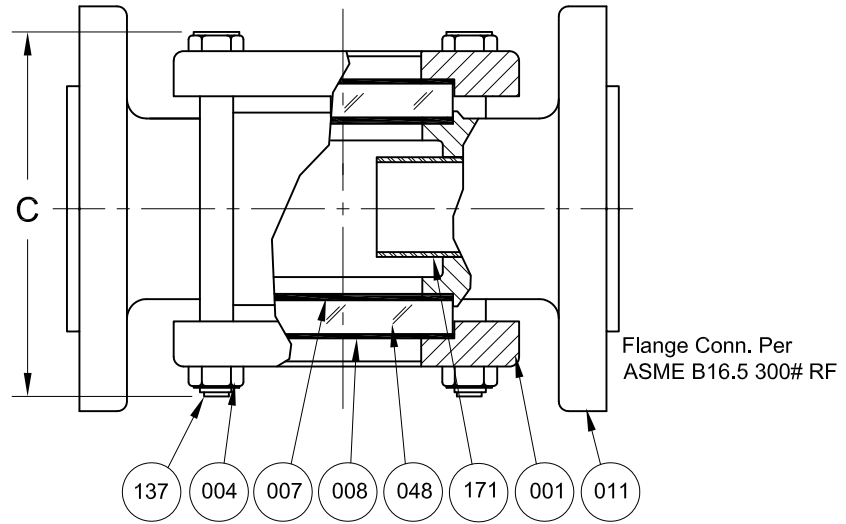
REVISIONS			
Rev.	Modification	Date	Done By
A	Updated Materials	10/13/2022	NPH



ASME Class 300 Service Press./Temp. Ratings		
*Limited to Gasket & Glass Material		
Temp. (°F)	Pressure (PSIG)	
	CS	316SS
-20 to 100	740	720
150	710	670
200	680	620
250	665	590
300	655	560
350	645	535
400	635	515
450	620	495
500	605	480

\*Consult Sales for Higher & Lower Temps.

BILL OF MATERIALS							
* - Denotes an Optional, Non-Standard Material							
No.	Name of Part	Qty.	Material	Max. Temp. (°F)	Material	Grade/Notes	
Wetted	011	1	Electro-Galvanized Zinc Plated Carbon Steel			ASTM A216 WCB	
			316SS			ASTM A351 CF8M	
	007	2	Neoprene		250		
			Gylon®		500		Gylon® 3545
			*EPDM		250		
			*Viton®		350		
			*Graphite		500		
			*Non Asbestos		500		
			*Buna-N		250		
	048	Lens	2	Tempered Boro.	500		
171	Drip Tube	1	316SS				
Non-Wetted	008	Cushion	2	Non-Asbestos	500		
	001	2	Electro-Galvanized Zinc Plated Carbon Steel			ASTM A516 Gr.70	
			*316SS			ASTM A240	
	137	Var.	Yellow Zinc Plated Steel				ASTM A354-BD
			*316SS				ASTM A193-B8M-CL2
	004	Var.	Yellow Zinc Plated Steel				ASTM A194-2H
*316SS						ASTM A194-8M	
163	Name Plate	1	304SS			Not Pictured (Wired to Unit)	



PRODUCT SPECIFICATIONS									
Flange Size	A		B		C <sub>2</sub>		Weight		# of Bolts
	In.	mm.	In.	mm.	In.	mm.	lbs.	kg.	
1/2 & 3/4	5-7/8	149	1	25	5-1/4	133	9-1/2	4.3	4
1	6-7/8	175	1-1/4	32	5-1/4	133	17	7.7	4
1-1/2	7-1/2	191	2	51	7-3/8	187	24	10.9	4
2	8-5/8	219	2	51	7-5/8	194	35	15.9	4
2-1/2 & 3	11-3/8	289	3-3/16	81	10-5/8	270	64	29.0	4
4	13-1/4	337	4-1/4	108	13	330	135	61.2	4
6	21-3/8	543	5-1/2	140	17-1/8	435	250	113.4	12
8	23	584	5-1/2	140	19	483	335	152.0	12

- Notes:**
1. Fused & Dual Glass Options are also Available
  2. Standard Bolt Length for "C" Dimension (±1/8")
  3. Carbon Steel & 316SS Bodies Conform to NACE MR0175 for Wetted NACE Service

**S16FB Series Configuration Choices:**  
Reference the Series S16FB Model Number Matrix on our Website or Inquire with our Sales Team

Gylon® is a Registered Trademark of Garlock Sealing Technologies  
Viton® is a Registered Trademark of The Chemours Company

<b>JOHN C ERNST LLC.</b>			www.JOHNERNST.com 21 Gail Ct. Sparta, N.J. USA	
Series S16FB Sight Flow Indicator - Drip Tube 300# Flanged				
Sheet: 1 of 1	Drawn By: WAS	Tolerances, unless otherwise noted Dec.: ±    Frac.: ±    Ang.: ±		Size: A
Scale: NTS	Approved By GEW			
Dim.: Var.	Date: 27-JAN-17	Dwg. No.: SC2.S16FB.04.0.0	Rev.: A	