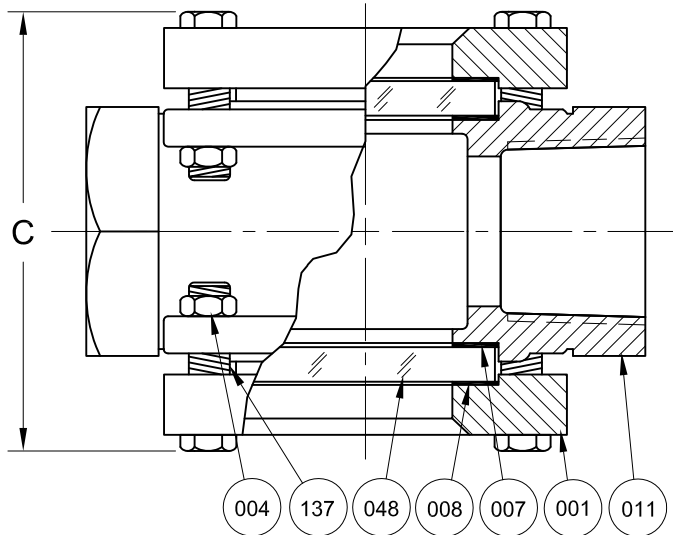


Bi-Directional



**ASME CLASS 300 SERVICE PRESSURE/TEMP. RATINGS**  
\*Limited to Gasket & Glass Material

Temp. (°F)	Pressure (PSIG)	
	CS	316SS
-20 to 100	740	720
150	710	670
200	680	620
250	665	590
300	655	560
350	645	535
400	635	515
450	620	495
500	605	480

\*Consult Sales for Higher & Lower Temps.

REVISIONS			
Rev.	Modification	Date	Done By

**BILL OF MATERIALS**

\* - Denotes an Optional, Non-Standard Material

No.	Name of Part	Qty.	Material	Max. Temp. (°F)	Material Grade
011	Body	1	Carbon Steel		ASTM A-216 WCB
			316SS		ASTM A-351 CF8M
007	Gasket	2	Neoprene	250	
			Gylon®	500	Gylon® 3504
			*EPDM	250	
			*Viton®	350	
			*Graphite	500	
			*Non Asbestos	500	Klinger C-4400
048	Lens	2	Tempered Boro.	500	
008	Cushion	2	Non-Asbestos	500	Klinger C-4400
001	Retainer <sub>1</sub>	2	Carbon Steel		ASTM A-216 WCB
			316SS		ASTM A-351 CF8M
			Plated Steel		SAE Gr. 5
			*316SS		ASTM A193-B8M
137	Stud	8	Plated Steel		SAE Gr. 5
004	Nut	8	Plated Steel		SAE Gr. 5
			*316SS		ASTM A194-8M

Wetted / Non-Wetted

1. Retainers are the Same Material as the Body

**PRODUCT SPECIFICATIONS**

FNPT Size	A		B		C		Weight	
	In.	mm.	In.	mm.	In.	mm.	lbs.	kg.
1/2 & 3/4	3-3/4	95	1-1/4	32	4	102	7	3.2
1	4-1/4	108	1-1/4	32	4-1/2	114	13	5.9
1-1/2	5-1/2	140	1-3/4	44	5-7/8	149	14	6.4
2	6-1/4	159	2	51	6-3/8	162	20	9.1

**S16TC Series Configuration Choices:**

Reference the Series S16TC Model Number Matrix on our Website or Inquire with our Sales Team

Gylon® is a Registered Trademark of Garlock Sealing Technologies  
Viton® is a Registered Trademark of E.I. DuPont de Nemours Co. Inc.

**JOHN C ERNST LLC.**

www.JOHNERNST.com  
21 Gall Ct. Sparta, N.J. USA

Series S16TC Sight Flow Indicator - Plain 300# Threaded

Sheet 1 of 1	Drawn By WAS	Tolerances, unless otherwise noted Dec.: ±    Frac.: ±    Ang.: ±	Size: A
Scale: NTS	Approved By JCW		
Date: 28-JUN-16	Dwg. No.: SC2.S16TC.00.0.0		Rev. --