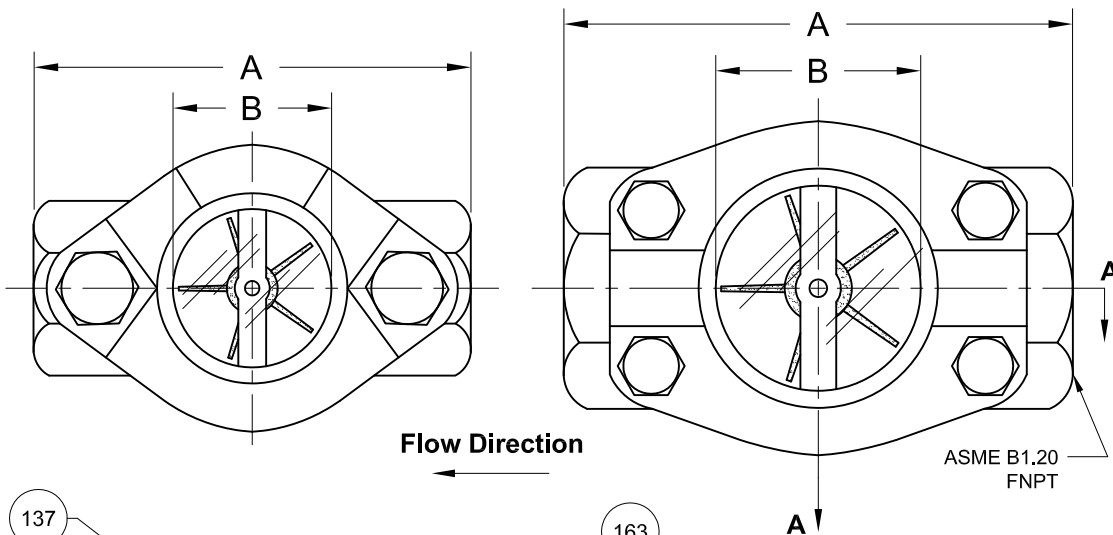


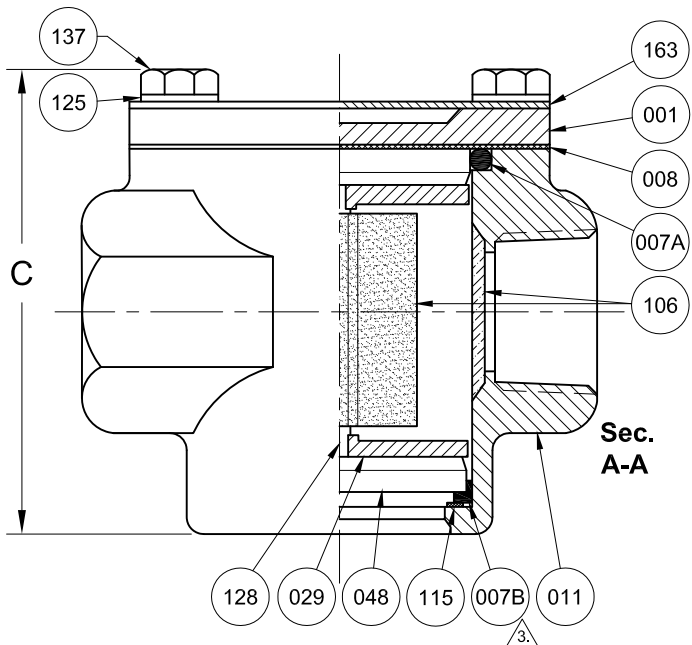
**BODY STYLE:**  
1/4", 3/8", 1/2", 3/4", 1"

**BODY STYLE:**  
1-1/4", 1-1/2", 2"



Flow Direction

ASME B1.20  
FNPT



Sec.  
A-A

RATINGS <sub>2</sub>	
Temp. (°F)	Pressure (PSIG)
-20 to 150	400
200	350
250	300
300	240
350	200
400	160

\*Consult Sales for Alt. Ratings

REVISIONS			
Rev.	Modification	Date	Done By
A	Updated materials	12/15/2020	NPH

BILL OF MATERIALS						
* - Denotes an Optional, Non-Standard Material						
No.	Name of Part	Qty.	Material	Max. Temp. (°F)	Material Grade/Notes	
011	Body	1	Carbon Steel		ASTM A216-WCB	
			Bronze		ASTM B62-83600	
			316SS		ASTM A351-CF8M	
007A 007B	Gasket	2	Viton®	400		
			*Neoprene	250		
			*EPDM	250		
			*PTFE	400		
			*Kalrez®	400		
			*Buna-N	212		
029	Bridge	2	316LSS			
048	Lens	2	Tempered Borosilicate			
106	Rotor / Deflector	1	Ryton® / 316SS	400	Brown	
128	Pin	1	316SS			
Non-Wetted	001	Retainer	1	Plated Steel		
	008	Cushion	1	Non-Asbestos Fiber		
	009	Outer Shield (Opt.)	1	Polycarbonate	200	(Not Pictured)
	115	Spacer	1	PTFE	400	
	125	Washers	Var.	Plated Steel		
	137	Studs	Var.	Plated Steel		
163	Nameplate	1	Aluminum			

PRODUCT SPECIFICATIONS												
FNPT Size	A CS/SS UNITS		A BRZ./IRN. UNITS		B		C		Weight		Min. Flow to Indicate	# of Studs
	In.	mm.	In.	mm.	In.	mm.	In.	mm.	lbs.	kg.	GPM	
1/4	3-5/8	92.1	3-1/4	82.6	1-1/8	28.6	2-9/16	65.1	1.9	0.86	0.14	2
3/8	3-5/8	92.1	3-1/4	82.6	1-1/8	28.6	2-9/16	65.1	1.9	0.86	0.25	2
1/2	3-5/8	92.1	3-1/4	82.6	1-1/8	28.6	2-9/16	65.1	1.7	0.77	0.30	2
3/4	4-1/4	108.0	4-1/4	108.0	1-1/2	38.1	3-7/16	87.3	3	1.36	0.60	2
1	4-1/4	108.0	4-1/4	108.0	1-1/2	38.1	3-7/16	87.3	3.1	1.41	0.70	2
1-1/4	5-5/8	142.9	5-1/4	133.4	2	50.8	4-1/2	114.3	8.9	4.04	1.05	4
1-1/2	5-5/8	142.9	5-1/4	133.4	2	50.8	4-1/2	114.3	8.4	3.81	1.25	4
2	5-5/8	142.9	5-1/2	139.7	2	50.8	4-1/2	114.3	7.1	3.22	1.30	4

**Notes:**

- Vacuum Service Rating: 85.5% of Full Vacuum / 25.6" of Hg. / 2.1 PSIA / -12.6 PSIG
- Limited to Glass, Gasket, & Indicator Ratings
- Actual Gasket Shape May Vary Based on Material and Size

**S13T Series Configuration Choices:**

Reference the Series S13T Model Number Matrix on our Website or Inquire with our Sales Team

Kalrez® is a Registered Trademark of E.I. DuPont de Nemours Co. Inc.  
Ryton® is a Registered Trademark of Solvay Specialty Polymers, Viton® is a Registered Trademark of the Chemours Company

<b>JOHN C ERNST LLC.</b>		www.JOHNERNST.com 21 Gail Ct. Sparta, N.J. USA		
				Series S13T High Pressure Rotator SFIs 1/4" - 2" FNPT
Sheet: 1 of 1	Drawn By: WAS	Tolerances, unless otherwise noted Dec.: ±    Frac.: ±    Ang.: ±		Size: A
Scale: NTS	Approved By: JCW	Dwg. No.: SC2.0S13T.02.0.0		Rev.: A
Dim.: Var.	Date: 31-MAY-16			