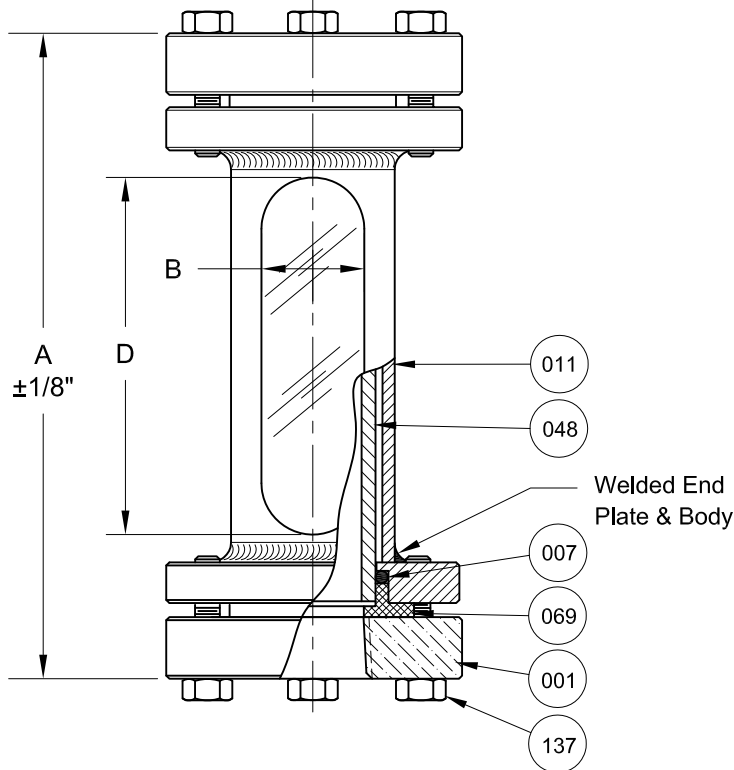
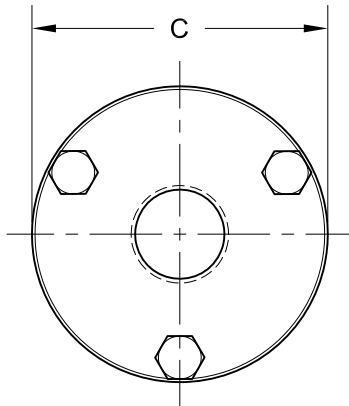


REVISIONS			
Rev.	Modification	Date	Done By
A	Added Zinc Plating to Carbon Steel	11/30/2016	WAS
B	"A" Dimension Line Corrected	12/1/2017	WAS
C	Updated Stud Material	3/4/2019	NPH



BILL OF MATERIALS

* - Denotes an Optional, Non-Standard Material

No.	Name of Part	Qty.	Material	Max. Temp. (°F)
Wetted	001	2	Zinc Plated Carbon Steel	
			316SS	
	007	2	Neoprene	225
			Viton®	300
			*PTFE Encapsulated Silicone	300
			*EPDM	250
048	Sight Glass	1	Annealed Borosilicate	
069	Inserts	2	PTFE	300
Non-Wetted	011	1	Zinc Plated Carbon Steel	
			*316SS	
	137	6	Plated Steel	
18-8 SS				

PRODUCT SPECIFICATIONS

FNPT Size	A ₄		B		C		D		Approx. Weight		Rating
	In.	mm.	In.	mm.	In.	mm.	In.	mm.	lbs.	kg.	PSIG
1/2	7	177.8	5/8	15.9	2-1/2	63.5	4-3/8	111.1	4	1.8	150
3/4	7	177.8	7/8	22.2	3	76.2	4-1/4	108.0	4	1.8	150
1	7	177.8	1	25.4	3	76.2	4	101.6	5	2.3	150
1-1/4	7-5/8	193.7	1-1/4	31.8	4	101.6	4-1/2	114.3	9	4.1	150
1-1/2	7-5/8	193.7	1-1/4	31.8	4	101.6	4-1/2	114.3	9	4.1	150
2	7-5/8	193.7	1-1/4	31.8	4-1/2	114.3	4-1/8	104.8	14	6.4	120

Notes:

- Limited to Glass and Gasket Ratings
- Acceptable for Full Vacuum Service
- Not Acceptable for Steam nor Gaseous Service
- Custom "A" Dimensions up to 36"

S19T Series Configuration Choices:

Reference the Series S19T Model Number Matrix on our Website or Inquire with our Sales Team

Viton® is a Registered Trademark of the Chemours Company

JOHN C ERNST LLC.

www.johnernst.com
21 Gail Ct. Sparta, N.J. USA

Series S19T Armored Threaded Full View Sight Flow Indicator

Sheet: 1 of 1	Drawn By: WAS	Tolerances, unless otherwise noted Dec.: ± Frac.: ± Ang.: ±	Size: A
Scale: NTS	Approved By: JCW		
Dim.: Var.	Date: 01-DEC-17	Dwg. No.: SC2.0S19T.00.0.0	Rev.: C